

# Boletín de la Propiedad Industrial

Nº 295

República Oriental del Uruguay

**Ministerio de Industria, Energía y Minería**  
Dirección Nacional de la Propiedad Industrial

13/10/2023



Ministerio  
**de Industria,  
Energía y Minería**

Dirección Nacional  
**de la Propiedad Industrial**

*República Oriental del Uruguay*



Ministerio  
**de Industria,  
Energía y Minería**

*Dirección Nacional de la  
Propiedad Industrial*

**BOLETÍN**

**DE LA PROPIEDAD  
INDUSTRIAL**

**ISSN 2301 - 1777**  
**Impreso en D.N.P.I.**  
**Permiso N° 2160 (Biblioteca Nacional)**  
**URUGUAY**

***REPÚBLICA ORIENTAL DEL URUGUAY***



**MINISTERIO DE INDUSTRIA, ENERGÍA Y MINERÍA**

**DIRECCIÓN NACIONAL DE LA PROPIEDAD INDUSTRIAL**

**ING. OMAR PAGANINI**

MINISTRO DE INDUSTRIA, ENERGÍA Y MINERÍA

**SR. WALTER VERRI**

SUBSECRETARIO

MINISTERIO DE INDUSTRIA, ENERGÍA Y MINERÍA

**ING. MAG. ELISA FACIO**

DIRECTORA GENERAL DE SECRETARÍA

MINISTERIO DE INDUSTRIA, ENERGÍA Y MINERÍA

**DR. MAG. SANTIAGO MARTÍNEZ MORALES**

DIRECTOR TÉCNICO DE LA PROPIEDAD INDUSTRIAL

MINISTERIO DE INDUSTRIA, ENERGÍA Y MINERÍA

# ***SOLICITUDES DE MARCAS***

El procedimiento utilizado no permite en todos los casos reproducir con exactitud los distintos matices de los colores.

Para oír los audios de las Marcas Sonoras que se publiquen en el presente Boletín debe ingresar por el siguiente link

<https://www.gub.uy/ministerio-industria-energia-mineria/comunicacion/publicaciones/repositorio-marcas-sonoras>

(210) **484476** (540)  
(730) **CHRISTOPH STEINER; ES**  
(220) 05/06/2017  
(511) **25 y 33**  
(740)



---

(210) **551741** (540)  
(730) **Federico Quinteros; UY**  
(220) 21/06/2023  
(511) **35 (S/D), 42 (S/D) y 45 (S/D)**  
(740)

**EXPEDIENTES.COM.UY**

---

(210) **552348** (540)  
(730) **Ilya Larin; EG**  
(220) 07/07/2023  
(511) **31 (S/D) y 35 (S/D)**  
(740)

**CASA LAVANDA**

---

(210) **553011** (540)  
(730) **Sushi Magnum srl**; UY  
(220) 27/07/2023  
(511) **41**  
(740)

## CLOUD7

---

(210) **553654** (540)  
(730) **jose pioli**; UY  
(220) 16/08/2023  
(511) **25 (S/D)**  
(740)

## BLACKCLOVER

---

(210) **553737** (540)  
(730) **China Market SAS**; UY  
(220) 18/08/2023  
(511) **35**  
(740)

(591) Rojo y Blanco





(210) **554006** (540)  
(730) **Hard Hat Hub, LLC dba**  
**BuiltWorldsMedia; US**  
(220) 29/08/2023  
(511) **35 (S/D)**  
(740)

## BUILTWORLDS

---

(210) **554129** (540)  
(730) **Yasin Nissar Hosein Sayani; AE**  
(220) 31/08/2023  
(511) **3 (S/D)**  
(740)

The logo for 'Smart COLLECTION' features the word 'Smart' in a large, elegant, cursive script font. Below it, the word 'COLLECTION' is written in a smaller, all-caps, sans-serif font, underlined.

---

(210) **554180** (540)  
(730) **BOORTMALT NV; BE**  
(220) 01/09/2023  
(511) **31 (S/D)**  
(740)

## BOORTMALT

---

(210) **554183** (540)  
(730) **BOORTMALT NV**; BE  
(220) 01/09/2023  
(511) **31 (S/D)**  
(740)

(591) AZUL, VERDE, BLANCO.



---

(210) **554184** (540)  
(730) **BOORTMALT NV**; BE  
(220) 01/09/2023  
(511) **31 (S/D)**  
(740)

(591) AZUL, BLANCO, VERDE, COLOR PIEL  
EN DISTINTOS TONOS, AMARILLO,  
DORADO, MARRON.



---

(210) **554186** (540)  
(730) **BOORTMALT NV**; BE  
(220) 01/09/2023  
(511) **31 (S/D)**  
(740)

(591) AZUL, ROJO, BLANCO.



(210) **554190** (540)  
(730) **BOORTMALT NV**; BE  
(220) 01/09/2023  
(511) **31 (S/D)**  
(740)

## UMA MALTA

---

(210) **554191** (540)  
(730) **BOORTMALT NV**; BE  
(220) 01/09/2023  
(511) **31 (S/D)**  
(740)

## LES MALTIERES

---

(210) **554204** (540)  
(730) **BLANCO Y ESPINO S.R.L.**; UY  
(220) 04/09/2023  
(511) **19 y 37**  
(740)

(591) Tonos de azul y naranja



(210) **554308** (540)  
(730) **JUAN PABLO HELGUERA PEREIRA;**  
UY  
(220) 06/09/2023  
(511) **35 y 36**  
(740)



---

(210) **554344** (540)  
(730) **Jemie B.V;** NL  
(220) 07/09/2023  
(511) **9 (S/D) y 25 (S/D)**(740)  
(300) 018845562 08/03/2023 EM y 018849921  
17/03/2023 EM

**CANNA**

---

(210) **554345** (540)  
(730) **PET SOCIETY PRODUTOS PARA**  
**ANIMAIS LTDA;** BR  
(220) 07/09/2023  
(511) **3**  
(740)

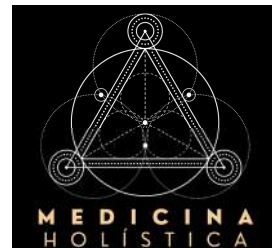


(210) **554346** (540)  
(730) **PET SOCIETY PRODUTOS PARA**  
**ANIMAIS LTDA; BR**  
(220) 07/09/2023  
(511) **5**  
(740)



(210) **554361** (540)  
(730) **Maria Fabiana Bertinat Albin y Agustin**  
**Andres Caramés Rial; UY**  
(220) 08/09/2023  
(511) **41 (S/D)**  
(740)

(591) Negro, Blanco y Amarillo Pastel



(210) **554375** (540)  
(730) **GOOD BRANDS LATAM S.A.; PA**  
(220) 08/09/2023  
(511) **5 (S/D)**  
(740)

**Munofen**

(210) **554461**  
(730) **BAWORA S.A.**; UY  
(220) 12/09/2023  
(511) **19, 20, 37, 39 y 40**  
(740)

(540)

## **Modulwall**

---

(210) **554500**  
(730) **Nina Djerbi y Ugo Paras**; FR  
(220) 12/09/2023  
(511) **44 (S/D)**  
(740)

(540)

LA CLINIQUE  
MEDICINA PREVENTIVA Y REHABILITACIÓN

---

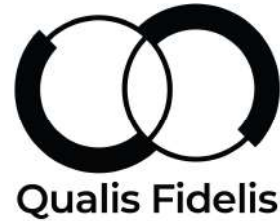
(210) **554516**  
(730) **TUDURY FRANCO; SARAGOVI  
PABLO; JOANDET JULIAN; JOAQUIN  
BELLIA HARGUINTEGUY y CASELLA  
MARTIN**; AR  
(220) 13/09/2023  
(511) **41 (S/D) y 43 (S/  
D)**(740)

(540)

**aura** 

---

(210) **554584** (540)  
(730) **Qualis Fidelis S.A.S.**; UY  
(220) 14/09/2023  
(511) **42**  
(740)  
  
(591) -



---

(210) **554597** (540)  
(730) **FEDERICO BIGLIANTI**; UY  
(220) 15/09/2023  
(511) **31**  
(740)

**KUDI**

---

(210) **554688** (540)  
(730) **RUBEN PEDRO DEBERIAN BEDIGIAN**;  
UY  
(220) 18/09/2023  
(511) **29 y 43**  
(740)  
  
(591) NEGRO, BLANCO



(210) **554691** (540)  
(730) **Ramp Swaps LLC**; UK  
(220) 18/09/2023  
(511) **9 (S/D), 36 (S/D) y 42 (S/D)**(740)

## **RAMP**

---

(210) **554694** (540)  
(730) **ANA LAURA TACON**; UY  
(220) 19/09/2023  
(511) **21**  
(740)

## **EXCERZONE**

---

(210) **554718** (540)  
(730) **LA TENTACION S.R.L.**; UY  
(220) 19/09/2023  
(511) **35**  
(740)

(591) Verde y roja

**la tentación** 

---



(210) **554741** (540)  
(730) **Clarios Andina S.A.S.**; CO  
(220) 19/09/2023  
(511) **9 (S/D)**  
(740)



---

(210) **554761** (540)  
(730) **OFICINA INTEGRACION URUGUAY**  
**SAS; UY**  
(220) 20/09/2023  
(511) **14, 18, 25 y 35**  
(740)

**MISTIKA**

---

(210) **554782** (540)  
(730) **NATURAL HEALING SAS; UY**  
(220) 21/09/2023  
(511) **5 (S/D)**  
(740)

**DAILYLACT**

---

(210) **554783** (540)  
(730) **NATURAL HEALING SAS; UY**  
(220) 21/09/2023  
(511) **44 (S/D)**  
(740)

## BIOHELPER

---

(210) **554814** (540)  
(730) **TENUI SOCIEDAD ANONIMA; UY**  
(220) 22/09/2023  
(511) **35 (S/D)**  
(740)

(591) azul oscuro

**tenui**

---

(210) **554819** (540)  
(730) **Virginia Chivetti; AR**  
(220) 22/09/2023  
(511) **33**  
(740)

(591) Blanco, Negro, Gris, Bordó.



(210) **554836** (540)  
(730) **ENZO ROSA**; UY  
(220) 22/09/2023  
(511) **43 (S/D)**  
(740)

(591) BLANCO Y NEGRO, NEGRO Y BLANCO



---

(210) **554865** (540)  
(730) **Javier Gonzalo López Leivas**; UY  
(220) 25/09/2023  
(511) **42 (S/D)**  
(740)

**AGILED**

---

(210) **554892** (540)  
(730) **Leandro Baison**; UY  
(220) 25/09/2023  
(511) **35, 38 y 42**  
(740)

(591) verde: #77d658 - gris oscuro: #494946 - gris  
intermedio: #656565 - gris claro: #d5d5d5



(210) **554899**  
(730) **Enrique Nunez; UY**  
(220) 26/09/2023  
(511) **6 y 19**  
(740)

(540)

## SIMPSON STRONG TIE

---

(210) **554900**  
(730) **CHELATO MONTEVIDEO SRL; UY**  
(220) 26/09/2023  
(511) **43**  
(740)

(540)

(591) C:100; M:100; Y:100; K:100/ C:0; M:0;  
Y:100; K:0/ C:0; M:100; Y:0; K:0/ C:0;  
M:19; Y:55; K:0



---

(210) **554901**  
(730) **Juan Ferreira; UY**  
(220) 26/09/2023  
(511) **43 (S/D)**  
(740)

(540)

(591) Verde, amarillo, gris, rojo, Negro, Blanco.



(210) **554902** (540)  
(730) **BABASAL SRL**; AR  
(220) 26/09/2023  
(511) **32**  
(740)

(591) Amarillo, verde, naranja, rojo, negro, blanco.



---

(210) **554903** (540)  
(730) **GUIDO MARTÍN PIÑEIRO**; AR  
(220) 26/09/2023  
(511) **35 (S/D)**  
(740)

**Amnesia in Amsterdam**

---

(210) **554904** (540)  
(730) **GUIDO MARTÍN PIÑEIRO**; AR  
(220) 26/09/2023  
(511) **43**  
(740)

**Amnesia in Amsterdam**

---

(210) **554907**

(540)

(730) **Benjamín Montero Fernández; CL**

(220) 26/09/2023

(511) **8**

(740)

(591) No reivindica colores.



---

(210) **554908**

(540)

(730) **Benjamín Montero Fernández; CL**

(220) 26/09/2023

(511) **35**

(740)

(591) No reivindica colores.



---

(210) **554909**

(540)

(730) **NICOLE DENISE CUCCO; AR**

(220) 26/09/2023

(511) **3, 9, 14, 16, 18, 25, 28 y 35** (740)

**NICKI NICOLE**

---

(210) **554911** (540)  
(730) **Weifang Yipin Pet Articles Co.,Ltd.**; CN  
(220) 26/09/2023  
(511) **31 (S/D)**  
(740)



---

(210) **554913** (540)  
(730) **Hugo Espinosa**; UY  
(220) 26/09/2023  
(511) **35**  
(740)



---

(210) **554915** (540)  
(730) **Hunan Sinoboom Intelligent Equipment Co., Ltd.**; CN  
(220) 26/09/2023  
(511) **7 (S/D)**(740)

**SINOBOOM**

---

(210) **554916** (540)  
(730) **Hunan Sinoboom Intelligent Equipment  
Co., Ltd.; CN**  
(220) 26/09/2023  
(511) **7 (S/D)**(740)



---

(210) **554919** (540)  
(730) **GOODAI GLOBAL INC.; KR**  
(220) 26/09/2023  
(511) **3 (S/D)**  
(740)  
(300) KR 40-2023-0062710 07/04/2023 KR

Beauty of Joseon

---

(210) **554920** (540)  
(730) **Diego Espinosa; UY**  
(220) 26/09/2023  
(511) **35**  
(740)

(591) Tonos de rojo





(210) **554922** (540)  
(730) **JUANIMAR S.A.**; UY  
(220) 26/09/2023  
(511) **21**  
(740)



---

(210) **554923** (540)  
(730) **Atanor Uruguay S.R.L.**; UY  
(220) 26/09/2023  
(511) **1 (S/D)**  
(740)

**PANZER**

---

(210) **554924** (540)  
(730) **JUANIMAR S.A.**; UY  
(220) 26/09/2023  
(511) **35**  
(740)

**JUANIMAR**

---

(210) **554925** (540)  
(730) **NORDA RUN INC.;** CA  
(220) 26/09/2023  
(511) **18 y 25**  
(740)

**NORDA**

---

(210) **554926** (540)  
(730) **JAWHP, LLC;** US  
(220) 26/09/2023  
(511) **25**  
(740)

**JOSEPH ABOUD**

---

(210) **554928** (540)  
(730) **Shenzhen Future Tech Co., Limited;** CN  
(220) 26/09/2023  
(511) **34 (S/D)**  
(740)

**OXBAR**

---

(210) **554929** (540)  
(730) **BEQUISA INDÚSTRIA QUÍMICA DO  
BRASIL LTDA; BR**  
(220) 26/09/2023  
(511) **5**  
(740)  
  
(591) 0



---

(210) **554932** (540)  
(730) **Riot Games, Inc.; US**  
(220) 26/09/2023  
(511) **3 (S/D), 9 (S/D), 14 (S/D), 16 (S/D), 18  
(S/D), 20 (S/D), 21 (S/D), 25 (S/D), 26  
(S/D), 28 (S/D), 32 (S/D), 38 (S/D) y 41  
(S/D)**  
(740)  
  
(591) No reivindica colores.



---

(210) **554934** (540)  
(730) **Martin Belveder; UY**  
(220) 26/09/2023  
(511) **35 (S/D)**  
(740)

**Montevideo Coffee Festival**

---

(210) **554935** (540)  
(730) **Codere Newco, S.A.U.**; ES  
(220) 27/09/2023  
(511) **41 (S/D)**  
(740)

(591) Pantones P 157-8 C, 1495 C, 7549 C, 5405 C,  
432 C, 3115 C, 432 C, blanco y negro.



---

(210) **554938** (540)  
(730) **Keoma Carreño**; UY  
(220) 27/09/2023  
(511) **41 (S/D)**  
(740)

(591) Blanco y Negro



---

(210) **554939** (540)  
(730) **Marco Simeone**; UY  
(220) 27/09/2023  
(511) **16 (S/D) y 41 (S/D)**  
(740)

**Galera Intelectual & Frívola**

---

(210) **554941** (540)

(730) **Anhui Jianghuai Automobile Group Corp.,  
Ltd.; CN**

(220) 27/09/2023

(511) **12 (S/D)**

(740)

(591) No reivindica colores



---

(210) **554942** (540)

(730) **VIVAS GARCIA SANDRA GISELL; UY**

(220) 27/09/2023

(511) **3**

(740)

## PRODUCTOS KIBON

---

(210) **554945** (540)

(730) **MANUEL IGLESIAS GALLO; UY**

(220) 27/09/2023

(511) **25 y 35**

(740)



(210) **554946** (540)  
(730) **PHARMA BUSINESS ADVICE S.A.; PA**  
(220) 27/09/2023  
(511) **35 (S/D)**  
(740)

## CONFARMA

---

(210) **554948** (540)  
(730) **PREVENT SENIOR PRIVATE  
OPERADORA DE SAÚDE LTDA.; BR**  
(220) 27/09/2023  
(511) **36 y 44**  
(740)

(591) NEGRO, VERDE

The logo for NEWON features the word "NEWON" in a bold, black, sans-serif font. The letter "O" is replaced by a green circle with a white outline, and a green swoosh underline is positioned beneath the "ON" portion of the text.

---

(210) **554949** (540)  
(730) **Biggar & Leith, LLC; US**  
(220) 27/09/2023  
(511) **33 (S/D)**  
(740)

## SHANKY'S WHIP

---

(210) **554953** (540)  
(730) **PHISALIA DISTRIBUIDORA LTDA.**; BR  
(220) 27/09/2023  
(511) **3 (S/D)**  
(740)

**TRA-LA-LA**

---

(210) **554955** (540)  
(730) **SOFINCO S.A.**; UY  
(220) 27/09/2023  
(511) **25**  
(740)



---

(210) **554956** (540)  
(730) **Camila Fernández Matiauda y Juan Pablo Comas**; UY  
(220) 27/09/2023  
(511) **18 (S/D)**  
(740)

**PICARDIA**

---

(210) **554957** (540)  
(730) **Tomas Lopez Rial; AR**  
(220) 27/09/2023  
(511) **41 (S/D)**  
(740)



---

(210) **554960** (540)  
(730) **EUROPEAN COSMETICS LIMITADA;**  
UY  
(220) 27/09/2023  
(511) **33 (S/D)**  
(740)

(591) NEGRO - BLANCO - ROJO - OCRE -  
AMARILLO - DORADO



---

(210) **554962** (540)  
(730) **SECCHI HNOS. LTDA.; UY**  
(220) 28/09/2023  
(511) **33**  
(740)

(591) NEGRO, ROJO en diferentes tonos,  
AMARILLO, DORADO, BLANCO





(210) **554972** (540)  
(730) **ZHEJIANG GEELY HOLDING GROUP  
CO., LTD.;** CN  
(220) 28/09/2023  
(511) **12 (S/D) y 37 (S/D)**  
(740)

(591) No reivindica colores



---

(210) **554973** (540)  
(730) **EIDLIN STROM MONICA SARA;** UY  
(220) 28/09/2023  
(511) **41**  
(740)

(591) Azul, celeste, dorado, amarillo y negro



---

(210) **554974** (540)  
(730) **EIDLIN STROM MONICA SARA;** UY  
(220) 28/09/2023  
(511) **41**  
(740)

(591) Gris dorado amarillo y negro



(210) **554975** (540)  
(730) **ENTRENATE SRL**; UY  
(220) 28/09/2023  
(511) **41**  
(740)

(591) No reivindica colores.



---

(210) **554977** (540)  
(730) **JOHNSON & JOHNSON**; US  
(220) 28/09/2023  
(511) **5 (S/D)**  
(740)

**AUNLIFSA**

---

(210) **554978** (540)  
(730) **Ventura Rentals SAS**; UY  
(220) 28/09/2023  
(511) **41**  
(740)

(591) No reivindica colores.



(210) **554979** (540)  
(730) **JOHNSON & JOHNSON; US**  
(220) 28/09/2023  
(511) **5 (S/D)**  
(740)

**IMAAVY**

---

(210) **554980** (540)  
(730) **TARALLO HENRY MARIO EZEQUIEL;**  
**UY**  
(220) 28/09/2023  
(511) **36 (S/D)**  
(740)



---

(210) **554981** (540)  
(730) **ORGANIZACION DE BOMBEROS**  
**AMERICANOS; UY**  
(220) 28/09/2023  
(511) **41**  
(740)

(591) Blanco, rojo, marrón, azul, verde



(210) **554982** (540)  
(730) **ANNOVI REVERBERI S.P.A.; IT**  
(220) 28/09/2023  
(511) **7 (S/D)**  
(740)



---

(210) **554986** (540)  
(730) **BOSELLI OLIVERA, PABLO; UY**  
(220) 28/09/2023  
(511) **35, 36, 37 y 41**  
(740)

(591) Blanco, Azul, #0b0d35



---

(210) **554987** (540)  
(730) **JOSE EDUARDO VÁZQUEZ LOYA; MX**  
(220) 28/09/2023  
(511) **12 y 35 (S/D)**  
(740)

(591) ROJO, NEGRO



(210) **554990** (540)  
(730) **BOSELLI OLIVERA, PABLO;** UY  
(220) 28/09/2023  
(511) **25 y 41**  
(740)

(591) VERDE, CELESTE, BLANCO, AZUL  
#140532



(210) **554991** (540)  
(730) **Julia Pedrozo;** UY  
(220) 28/09/2023  
(511) **25 (S/D)**  
(740)

(591) Azul



(210) **554994** (540)  
(730) **Julia Pedrozo;** UY  
(220) 28/09/2023  
(511) **25 (S/D)**  
(740)

(591) Negro



(210) **554996** (540)  
(730) **FABIAN MALTZMAN LAPKA; UY**  
(220) 28/09/2023  
(511) **35 y 37**  
(740)



---

(210) **554997** (540)  
(730) **Apple INC.; US**  
(220) 28/09/2023  
(511) **9**  
(740)  
(300) 2023-298 12/04/2023 LI

**NAMEDROP**

---

(210) **554998** (540)  
(730) **MESA GARCIA MARIA ANDREA; UY**  
(220) 28/09/2023  
(511) **18 y 25**  
(740)



(210) **554999** (540)  
(730) **Zotollan SA**; UY  
(220) 28/09/2023  
(511) **42**  
(740)  
  
(591) Pantone 1655 C y negro

The logo for RealCur features a red checkmark inside a square, followed by the word "RealCur" in a bold, red, sans-serif font.

---

(210) **555000** (540)  
(730) **FarmaMundo S.A.**; CH  
(220) 28/09/2023  
(511) **5, 35 y 44**  
(740)

**FARMAMONDO**

---

(210) **555001** (540)  
(730) **LEAL GARCIA LETICIA**; UY  
(220) 28/09/2023  
(511) **35**  
(740)  
  
(591) Negro y dorado

The logo for AUTOPLUS accesorios consists of the word "AUTOPLUS" in a bold, black, sans-serif font, with five yellow stars below it. Underneath the stars, the word "accesorios" is written in a smaller, black, sans-serif font.

(210) **555003** (540)  
(730) **Carlos BUGARIN FERREIRA**; UY  
(220) 28/09/2023  
(511) **7 y 40**  
(740)

(591) BLANCO - ROJO - DORADO



---

(210) **555004** (540)  
(730) **Carlos BUGARIN FERREIRA**; UY  
(220) 28/09/2023  
(511) **35**  
(740)

(591) BLANCO - ROJO - DORADO



---

(210) **555005** (540)  
(730) **Ricardo Ratto**; UY  
(220) 28/09/2023  
(511) **41 (S/D)**  
(740)

(591) AMARILLO,NEGRO,BLANCO





(210) **555007**  
(730) **L'OREAL**; FR  
(220) 28/09/2023  
(511) **3 (S/D)**  
(740)

(540)



(210) **555008**  
(730) **L'OREAL**; FR  
(220) 28/09/2023  
(511) **3 (S/D)**  
(740)

(540)



(210) **555009**  
(730) **FENGFAN CO.,LTD.**; CN  
(220) 28/09/2023  
(511) **9 (S/D)**  
(740)

(540)



(210) **555010**  
(730) **GRANGER S.A.**; AR  
(220) 28/09/2023  
(511) **5 (S/D)**  
(740)

(540)

**GRANGER.**

---

(210) **555011**  
(730) **GRANGER S.A.**; AR  
(220) 28/09/2023  
(511) **30 (S/D)**  
(740)

(540)

**GRANGER.**

---

(210) **555020**  
(730) **NITIS SAS**; UY  
(220) 29/09/2023  
(511) **9, 35 y 42 (740)**

(540)

(591) Tonos de azul

**BRINTA**

---

(210) **555038** (540)  
(730) **ZITRO LABORATORY S.L.U.**; ES  
(220) 29/09/2023  
(511) **9 (S/D) y 28 (S/D)**  
(740)  
(300) 018857318 03/04/2023 EM



---

(210) **555039** (540)  
(730) **VAENVIO SAS**; UY  
(220) 29/09/2023  
(511) **9 (S/D), 35 (S/D), 39 (S/D) y 42 (S/D)**  
(740)  
(591) 6558d7; 6fd3d3; 2f2f9; 6a3b9d; 9f9ce0



---

(210) **555042** (540)  
(730) **PESCE COMUNICACION SAS**; UY  
(220) 29/09/2023  
(511) **35 y 41**  
(740)

**PESCE COMUNICACIÓN**

---

(210) **555047** (540)  
(730) **LAURA INES CATENA; US**  
(220) 29/09/2023  
(511) **33 (S/D)**  
(740)

## **DOMAINE NICO**

---

(210) **555048** (540)  
(730) **LAURA INES CATENA; AR**  
(220) 29/09/2023  
(511) **33 (S/D)**  
(740)

## **LA POSTA**

---

(210) **555049** (540)  
(730) **LAURA INES CATENA; AR**  
(220) 29/09/2023  
(511) **33 (S/D)**  
(740)

## **MCDERMOTT**

---

(210) **555050** (540)  
(730) **LAURA INES CATENA; AR**  
(220) 29/09/2023  
(511) **33 (S/D)**  
(740)

**LUCA**

---

(210) **555051** (540)  
(730) **BODEGA ALEANNA S.A.; AR**  
(220) 29/09/2023  
(511) **33 (S/D)**  
(740)

**EL ENEMIGO**

---

(210) **555052** (540)  
(730) **BODEGA ALEANNA S.A.; AR**  
(220) 29/09/2023  
(511) **33 (S/D)**  
(740)

**GRAN ENEMIGO**

---

(210) **555053** (540)  
(730) **PUERTO ANCONA S.A.**; AR  
(220) 29/09/2023  
(511) **33 (S/D)**  
(740)

## HIGH NOTE

---

(210) **555055** (540)  
(730) **PURATOS N.V.**; BE  
(220) 29/09/2023  
(511) **30 (S/D)**  
(740)

## HARMONY

---

(210) **555056** (540)  
(730) **FIDEICOMISO 1724 / 2023**; UY  
(220) 29/09/2023  
(511) **37**  
(740)

(591) No reivindica colores

**LC**  
BARRIO PRIVADO LA CHACRA  
BRAVA GOLF

---

(210) **555057** (540)  
(730) **VIVANT ASSESSORIA COMERCIAL**  
**LTDA.; BR**  
(220) 29/09/2023  
(511) **32 (S/D)**  
(740)  
  
(591) 0



---

(210) **555058** (540)  
(730) **Federico Bidenti Burgos; UY**  
(220) 29/09/2023  
(511) **25 y 35**  
(740)  
  
(591) # 5 F 2 1 2 E



---

(210) **555059** (540)  
(730) **Birkenstock IP GmbH; DE**  
(220) 29/09/2023  
(511) **3 (S/D) y 21 (S/D)**  
(740)  
  
(591) -



(210) **555060**  
(730) **Birkenstock IP GmbH; DE**  
(220) 29/09/2023  
(511) **3 (S/D) y 21 (S/D)**  
(740)

(540)

## **BIRKENSTOCK**

---

(210) **555061**  
(730) **GONZALEZ LOPEZ MARIA DEL  
PILAR Y ESTEVES GONZALEZ JUAN  
MARTIN SOCIEDAD DE HECHO; UY**

(540)

(220) 29/09/2023  
(511) **25 y 35**  
(740)

(591) -



---

(210) **555062**  
(730) **CACHAY S.A.; AR**  
(220) 29/09/2023  
(511) **29 (S/D), 30 (S/D) y 31 (S/D)**  
(740)

(540)

## **FRUTTY BY CACHAMAI**

---



(210) **555063** (540)  
(730) **CACHAY S.A.**; AR  
(220) 29/09/2023  
(511) **29 (S/D), 30 (S/D) y 31 (S/D)**(740)  
  
(591) 0



---

(210) **555064** (540)  
(730) **Virginia Lia Jacobs**; AR  
(220) 29/09/2023  
(511) **5**  
(740)

**WELLFIT**

---

(210) **555066** (540)  
(730) **COMISION ADMINISTRADORA PUNTA  
CARRETAS SHOPPING CENTER S.A.**;  
UY  
(220) 29/09/2023  
(511) **35 y 41**  
(740)

**Fashion Bloom**

---

(210) **555067** (540)  
(730) **GOLDESUAR SOCIEDAD ANONIMA;**  
UY  
(220) 29/09/2023  
(511) **5, 35 y 43**  
(740)

## FARMACIA CRILLON

---

(210) **555068** (540)  
(730) **CACHAY S.A.;** AR  
(220) 29/09/2023  
(511) **29 (S/D), 30 (S/D) y 31 (S/D)**(740)  
  
(591) rojo



---

(210) **555069** (540)  
(730) **CACHAY S.A.;** AR  
(220) 29/09/2023  
(511) **29 (S/D), 30 (S/D) y 31 (S/D)**(740)  
  
(591) verde



(210) **555078** (540)  
(730) **SOFTYS S.A.**; CL  
(220) 29/09/2023  
(511) **6 (S/D)**  
(740)

## **ELITE PROFESSIONAL**

---

(210) **555080** (540)  
(730) **PHARMA BUSINESS ADVICE S.A.**; PA  
(220) 29/09/2023  
(511) **35 (S/D)**  
(740)

## **CONFARMA INVESTMENTS**

---

(210) **555082** (540)  
(730) **Belén Regina Motz Perez**; UY  
(220) 29/09/2023  
(511) **41**  
(740)

(591) #2AA032 #FFFFFF #000000



(210) **555083**

(540)

(730) **Belén Regina Motz Perez; UY**

(220) 29/09/2023

(511) **41**

(740)

(591) #E625A2 #FF424D #FF790D #7036CA  
#FFFFFF



---

(210) **555084**

(540)

(730) **Belén Regina Motz Perez; UY**

(220) 29/09/2023

(511) **41**

(740)

(591) #DCAA24 #2DB2C7



---

(210) **555085**

(540)

(730) **Belén Regina Motz Perez; UY**

(220) 29/09/2023

(511) **41**

(740)

(591) #FFFFFF



(210) **555086** (540)  
(730) **Kiko Confecções Ltda;** BR  
(220) 29/09/2023  
(511) **25 y 35**  
(740)



(210) **555087** (540)  
(730) **Kiko Confecções Ltda.;** BR  
(220) 29/09/2023  
(511) **25 y 35**  
(740)



(210) **555088** (540)  
(730) **Kiko Confecções Ltda;** BR  
(220) 29/09/2023  
(511) **25 y 35**  
(740)



(210) **555091** (540)  
(730) **SARLABÓS MUÑOZ, LUCIANA; UY**  
(220) 02/10/2023  
(511) **43**  
(740)

**ALBERTO'S**

---

(210) **555092** (540)  
(730) **SARLABÓS MUÑOZ, LUCIANA; UY**  
(220) 02/10/2023  
(511) **43**  
(740)

**ALBERTITO'S**

---

(210) **555094** (540)  
(730) **COMITÉ INTERNATIONAL  
OLYMPIQUE; CH**  
(220) 02/10/2023  
(511) **9 (S/D), 35 (S/D) y 41 (S/D)**  
(740)  
(300) 04200/2023 30/03/2023 CH  
(591) AZUL, AMARILLO, NEGRO, VERDE,  
ROJO.

**OLYMPISM 335**

---

(210) **555096** (540)  
(730) **Paula Villar**; UY  
(220) 02/10/2023  
(511) **43 (S/D) y 44 (S/D)**  
(740)

## LA ENCANTADA

---

(210) **555097** (540)  
(730) **Diego Cima**; UY  
(220) 02/10/2023  
(511) **35 y 45**  
(740)

(591) Blanco y Rojo



---

(210) **555099** (540)  
(730) **BlockAcademy Ltd.**; KY  
(220) 02/10/2023  
(511) **9 (S/D) y 41 (S/D)**(740)

## POK PROOF OF KNOWLEDGE

---

(210) **555100** (540)  
(730) **BlockAcademy Ltd.**; KY  
(220) 02/10/2023  
(511) **9 (S/D) y 41 (S/D)**(740)  
  
(591) Rojo y Blanco



---

(210) **555101** (540)  
(730) **LEDESMA S.A.A.I.**; AR  
(220) 02/10/2023  
(511) **16 (S/D)**  
(740)

## **LEDESMA NATPACK**

---

(210) **555102** (540)  
(730) **LEDESMA S.A.A.I.**; AR  
(220) 02/10/2023  
(511) **16 (S/D)**  
(740)

## **LEDESMA BIO ENVASES**

---



(210) **555103** (540)  
(730) **LEDESMA S.A.A.I.**; AR  
(220) 02/10/2023  
(511) **16 (S/D)**  
(740)

## **LEDESMA PACK**

---

(210) **555104** (540)  
(730) **LEDESMA S.A.A.I.**; AR  
(220) 02/10/2023  
(511) **16 (S/D)**  
(740)

## **LEDESMA ENVASES**

---

(210) **555105** (540)  
(730) **LEDESMA S.A.A.I.**; AR  
(220) 02/10/2023  
(511) **16 (S/D)**  
(740)

## **LEDESMA CAÑA ENVASES**

---

(210) **555106**  
(730) **LEDESMA S.A.A.I.**; AR  
(220) 02/10/2023  
(511) **16 (S/D)**  
(740)

(540)

**CAÑA PACK**

---

(210) **555107**  
(730) **LEDESMA S.A.A.I.**; AR  
(220) 02/10/2023  
(511) **16 (S/D)**  
(740)

(540)

Ledesma  
**CAÑA  
PACK**

---

(210) **555108**  
(730) **MONTE CARLO T.V. S.A.**; UY  
(220) 02/10/2023  
(511) **38 y 41**  
(740)

(540)

**La Combi de...**

---

(210) **555111** (540)  
(730) **Gonzalo Araujo**; AR  
(220) 02/10/2023  
(511) **29, 30 y 35**  
(740)

(591) BLANCO Y NEGRO



(210) **555114** (540)  
(730) **ANDRÉS NICOLAS JVESCHUK**  
**SINICIN**; UY  
(220) 02/10/2023  
(511) **31 y 44**  
(740)

(591) VERDE, VERDE OSCURO



(210) **555115** (540)  
(730) **PROLESA**; UY  
(220) 02/10/2023  
(511) **7, 9, 11 y 25**  
(740)

(591) 0



(210) **555117**  
(730) **Pedro Franco**; UY  
(220) 02/10/2023  
(511) **9 (S/D)**  
(740)

(540)

**Carnaval App**

---

(210) **555118**  
(730) **BOTICA COMERCIAL  
FARMACEUTICA LTDA.**; BR  
(220) 02/10/2023  
(511) **3**  
(740)

(540)

(591) -

*Lily*

---

(210) **555119**  
(730) **TA-TA S.A.**; UY  
(220) 02/10/2023  
(511) **35, 41 y 43** (740)

(540)

(591) -

**woOw!**

---

(210) **555120** (540)  
(730) **CAPRICHOSA S.A.S.**; AR  
(220) 02/10/2023  
(511) **35 (S/D) y 43 (S/D)**  
(740)



---

(210) **555121** (540)  
(730) **CARLOS CARDONA**; UY  
(220) 02/10/2023  
(511) **35**  
(740)

(591) rojo y blanco



---

(210) **555122** (540)  
(730) **Soft Evolution SAS**; UY  
(220) 02/10/2023  
(511) **9, 35 y 42 (S/D)**  
(740)

(591) azul y negro



(210) **555123** (540)  
(730) **Maria Fabiana Bertinat Albin y Agustin**  
**Carames; UY**  
(220) 03/10/2023  
(511) **41 (S/D)**  
(740)

(591) **Amarillo, Negro y Blanco**



---

(210) **555124** (540)  
(730) **Diego Sebastian Sacco Barros; UY**  
(220) 03/10/2023  
(511) **25, 28 y 35**  
(740)

**aire libre**

---

(210) **555125** (540)  
(730) **Raquel Vallarino; UY**  
(220) 03/10/2023  
(511) **38 y 41**  
(740)

**En Conciencia**

---

(210) **555139** (540)  
(730) **DANIELA SILVA FREIRE; UY**  
(220) 03/10/2023  
(511) **29, 30 y 35**  
(740)  
  
(591) Blanco y negro



---

(210) **555140** (540)  
(730) **DANIELA SILVA FREIRE; UY**  
(220) 03/10/2023  
(511) **30**  
(740)

## ROMEO Y JULIETA

---

(210) **555141** (540)  
(730) **ABENTI S.A.; UY**  
(220) 03/10/2023  
(511) **7 y 12**  
(740)  
  
(591) Rojo, negro, blanco



(210) **555160** (540)  
(730) **VICTORIA SILVA GARCÍA; UY**  
(220) 03/10/2023  
(511) **7, 10 y 28**  
(740)

(591) azul, celeste, gris , blanco



---

(210) **555163** (540)  
(730) **TOONA S.A.; PY**  
(220) 03/10/2023  
(511) **41 (S/D)**  
(740)

**WAVE CONFERENCE**

---

(210) **555165** (540)  
(730) **L'OREAL; FR**  
(220) 03/10/2023  
(511) **3 (S/D)**  
(740)

**BORN IN ROMA**  
GREEN STRAVAGANZA

---



(210) **555167** (540)  
(730) **LABORATORIOS SAVAL S.A.**; CL  
(220) 03/10/2023  
(511) **5**  
(740)

(591) Pantone 151, Pantone 2613



---

(210) **555168** (540)  
(730) **NOMAD SUNTRIBE, S.L.**; ES  
(220) 03/10/2023  
(511) **41 (S/D) y 43 (S/D)**  
(740)

**WOOMOON**

---

(210) **555169** (540)  
(730) **LABORATORIOS SAVAL S.A.**; CL  
(220) 03/10/2023  
(511) **5**  
(740)

(591) Pantone 151, Pantone 2613



(210) **555170** (540)  
(730) **LABORATORIOS SAVAL S.A.**; CL  
(220) 03/10/2023  
(511) **5**  
(740)

(591) Pantone 151, Pantone 2613



---

(210) **555171** (540)  
(730) **LABORATORIOS SAVAL S.A.**; CL  
(220) 03/10/2023  
(511) **5**  
(740)

(591) Pantone 151, Pantone 2613



---

(210) **555172** (540)  
(730) **MAURICIO LA BUONORA**; UY  
(220) 03/10/2023  
(511) **14, 18, 24, 25 y 35**  
(740)

**MADIBA**

---

(210) **555174** (540)  
(730) **SAFILO-SOCIETA AZIONARIA**  
**FABBRICA ITALIANA LAVORAZIONE**  
**OCCHIALE S.P.A..; IT**  
(220) 03/10/2023  
(511) **9 (S/D)**  
(740)  
(300) 302023000089301 09/06/2023 IT  
(591) rosado, naranja, amarillo, verde, celeste, azul

**Polaroid**  
eyewear

(210) **555175** (540)  
(730) **SAFILO-SOCIETA AZIONARIA**  
**FABBRICA ITALIANA LAVORAZIONE**  
**OCCHIALE S.P.A..; IT**  
(220) 03/10/2023  
(511) **9 (S/D)**  
(740)  
(300) 302023000089316 09/06/2023 IT  
(591) rosado, naranja, amarillo, verde, celeste, azul



(210) **555176** (540)  
(730) **Open Pass S.A.U.; AR**  
(220) 03/10/2023  
(511) **9 (S/D), 35 (S/D), 36 (S/D) y 42 (S/D)**  
(740)

(591) Blanco y Gris.

  
openpass

(210) **555179** (540)

(730) **Freudenberg-NOK General Partnership;**  
US

(220) 03/10/2023

(511) **12 (S/D) y 17 (S/**

**D)(740)**

## TRANSTEC

---

(210) **555180** (540)

(730) **Freudenberg-NOK General Partnership;**  
US

(220) 03/10/2023

(511) **7 (S/D), 11 (S/D), 12 (S/D) y 17 (S/**

**D)(740)**

## FREUDENBERG-NOK

---

(210) **555181** (540)

(730) **Javier Cesar PAJON; AR**

(220) 03/10/2023

(511) **42 (S/D)**

(740)

(591) 2f246f e3c82a 409b58 049ce3 edf3f4 955c1d  
257089 65bfe8 1666b5 7cd4f1



(210) **555183** (540)  
(730) **Alejandra Cordeiro**; UY  
(220) 04/10/2023  
(511) **3 y 31**  
(740)

(591) VERDE Y BLANCO



(210) **555186** (540)  
(730) **CARLOS ROBERTO TORRES OBELAR**;  
UY  
(220) 04/10/2023  
(511) **33**  
(740)

(591) BEIGE - MARRON - VERDE



(210) **555187** (540)  
(730) **INGENCA, S.R.L.**; UY  
(220) 04/10/2023  
(511) **42**  
(740)

(591) Pantone #2d9a9a



(210) **555188** (540)  
(730) **Nicolas Sacco**; UY  
(220) 04/10/2023  
(511) **16 (S/D)**  
(740)

**BIGBAG**

---

(210) **555191** (540)  
(730) **Guido Martin PIÑEIRO**; AR  
(220) 04/10/2023  
(511) **3 (S/D)**  
(740)

(591) No reivindica colores

  
**WINNERS**

---

(210) **555192** (540)  
(730) **Guido Martin PIÑEIRO**; AR  
(220) 04/10/2023  
(511) **5 (S/D)**  
(740)

(591) No reivindica colores

  
**WINNERS**

---

(210) **555193** (540)  
(730) **SOEURS SAS; UY**  
(220) 04/10/2023  
(511) **43**  
(740)

**CHARO**

---

(210) **555195** (540)  
(730) **Colgate-Palmolive Company; US**  
(220) 04/10/2023  
(511) **3 (S/D)**  
(740)

**LUMINOUS WHITE  
BRILLIANT**

---

(210) **555198** (540)  
(730) **Carlos Alberto Medina; AR**  
(220) 04/10/2023  
(511) **15 (S/D)**  
(740)

**MAGMA**

---

(210) **555199**  
(730) **Medina Artigas S.A.**; AR  
(220) 04/10/2023  
(511) **15 (S/D)**  
(740)

(540)

## **MEDINA ARTIGAS**

---

(210) **555200**  
(730) **MEGA LABS S.A.**; UY  
(220) 04/10/2023  
(511) **5**  
(740)

(540)

## **DAEHA H+**

---

(210) **555201**  
(730) **LEDESMA S.A.A.I.**; AR  
(220) 04/10/2023  
(511) **16 (S/D)**  
(740)

(540)

## **LEDESMA CAÑA PACK**

---



(210) **555203** (540)  
(730) **Menem, Martín Alexis**; AR  
(220) 04/10/2023  
(511) **5 (S/D), 30 (S/D) y 32 (S/D)**  
(740)  
  
(591) Pantone 2995 C

The logo for GL-LABS, featuring the text "GL-LABS" in a bold, blue, sans-serif font.

---

(210) **555210** (540)  
(730) **CABAL COOPERATIVA DE PROVISIÓN  
DE SERVICIOS LIMITADA**; AR  
(220) 04/10/2023  
(511) **16 y 36**  
(740)

The logo for CABAL, featuring the text "CABAL" in a bold, black, sans-serif font.

---

(210) **555211** (540)  
(730) **SINDWAY S.A.**; UY  
(220) 04/10/2023  
(511) **29 (S/D)**  
(740)  
  
(591) Amarillo, rojo y blanco

The logo for FritoMac, featuring the text "FritoMac" in a bold, red, sans-serif font with a yellow outline, set against a yellow background.

(210) **555212**  
(730) **SOLO BRANDS, LLC; US**  
(220) 04/10/2023  
(511) **4, 11, 12, 18, 19, 20 y 25**  
(740)

(540)

**SOLO**

---

(210) **555213**  
(730) **CREDICUOTAS CONSUMO S.A.; AR**  
(220) 04/10/2023  
(511) **36**  
(740)

(540)

(591) 0

**credicuotas**

---

(210) **555214**  
(730) **INTERBASIC HOLDING S.R.L.; IT**  
(220) 04/10/2023  
(511) **3, 9, 14, 18 y 25**  
(740)

(540)



(210) **555215** (540)  
(730) **INTERBASIC HOLDING S.R.L.; IT**  
(220) 04/10/2023  
(511) **3, 9, 14, 18 y 25**  
(740)



---

(210) **555223** (540)  
(730) **ENVASADORA MELILLA SAS; UY**  
(220) 05/10/2023  
(511) **33**  
(740)



---

(210) **555224** (540)  
(730) **ENVASADORA MELILLA SAS; UY**  
(220) 05/10/2023  
(511) **32**  
(740)

**ARENGA**

---

(210) **555226** (540)

(730) **LICENCIAS Y EXCLUSIVAS TEXTILES,  
S. A.; ES**

(220) 05/10/2023

(511) **25 (S/D)**

(740)

(591) No reivindica colores



---

(210) **555228** (540)

(730) **Jhon Gerardo Martínez Videla; UY**

(220) 05/10/2023

(511) **25 y 35**

(740)

(591) Chocolate Rojizo, Chocolate y Ocre



---

(210) **555230** (540)

(730) **GUEMIPER SRL; UY**

(220) 05/10/2023

(511) **30**

(740)

(591) azul y blanco



(210) **555231** (540)  
(730) **Andrea Galarraga**; UY  
(220) 05/10/2023  
(511) **41 (S/D)**  
(740)

(591) Naranja, Blanco, Negro, Verde



---

(210) **555232** (540)  
(730) **IMTrex URUGUAY SRL**; UY  
(220) 05/10/2023  
(511) **10 y 37**  
(740)

**IMTrex URUGUAY**

---

(210) **555236** (540)  
(730) **Ecofiltro, S.A.**; GT  
(220) 05/10/2023  
(511) **11**  
(740)

**ecofiltro**<sup>®</sup>

---

(210) **555237** (540)  
(730) **BlockAcademy Ltd.**; KY  
(220) 05/10/2023  
(511) **9 (S/D) y 41 (S/D)**  
(740)

## BLOCKACADEMY

---

(210) **555239** (540)  
(730) **Exxon Mobil Corporation**; US  
(220) 05/10/2023  
(511) **4 (S/D)**  
(740)

(591) rojo, azul, negro, amarillo



---

(210) **555240** (540)  
(730) **DISTRIBUIDORA DEL POLO SAS**; UY  
(220) 05/10/2023  
(511) **25**  
(740)

## COUNTRY JACK

---

(210) **555242** (540)  
(730) **LLEIDANETWORKS SERVEIS**  
**TELEMATICS, S.A.; ES**  
(220) 05/10/2023  
(511) **42**  
(740)

(591) Rojo (Pantone 200 C), verde (Pantone 328  
C), negro, blanco, amarillo (Pantone 143 C),  
azul (Pantone



---

(210) **555244** (540)  
(730) **SOFTYS S.A.; CL**  
(220) 05/10/2023  
(511) **16**  
(740)

(591) Pantone 877 C, Pantone 3025 C



---

(210) **555245** (540)  
(730) **PAMELA IRENE PAREDES**  
**SCHWERTER; UY**  
(220) 05/10/2023  
(511) **35**  
(740)



(210) **555246** (540)  
(730) **PAMELA IRENE PAREDES**  
**SCHWERTER; UY**  
(220) 05/10/2023  
(511) **30**  
(740)



---

(210) **555247** (540)  
(730) **GENERAL MOTORS LLC; US**  
(220) 05/10/2023  
(511) **4 (S/D)**  
(740)

(591) No reivindica colores.



---

(210) **555248** (540)  
(730) **SOFTYS S.A.; CL**  
(220) 05/10/2023  
(511) **16**  
(740)

(591) Pantone 1245 C, Pantone 287 C, Pantone  
2935 C





(210) **555251** (540)  
(730) **SOFTYS S.A.**; CL  
(220) 05/10/2023  
(511) **16**  
(740)

(591) Pantone 287 C, Pantone 1245 C, Pantone  
2935 C



---

(210) **555252** (540)  
(730) **BRIGNONI MORENO, MARTN**  
**DANIEL**; UY  
(220) 05/10/2023  
(511) **16 y 35**  
(740)

(591) verde, anaranjado, celeste y rosado.



---

(210) **555253** (540)  
(730) **COMPAÑIA INDUSTRIAL DE**  
**TABACOS MONTE-PAZ S.A.**; UY  
(220) 05/10/2023  
(511) **11, 13 y 19**  
(740)

(591) ROJO Y BLANCO



(210) **555257** (540)  
(730) **Lorena Valiente y Nevers Díaz; UY**  
(220) 05/10/2023  
(511) **41**  
(740)

(591) Azul #1C75BC, Amarillo #F7B900, Verde  
#8FB850, Rojo #D43F4B



---

(210) **555259** (540)  
(730) **IGUI WORLDWIDE PISCINAS LTDA.;**  
BR  
(220) 05/10/2023  
(511) **19**  
(740)

(591) CELESTE, BLANCO



---

(210) **555260** (540)  
(730) **FABRICA DE DOCES LEDUR LTDA; BR**  
(220) 05/10/2023  
(511) **29 y 30**  
(740)

**BIA CREAM**

---

(210) **555261** (540)  
(730) **Bayer Aktiengesellschaft**; DE  
(220) 05/10/2023  
(511) **1 (S/D) y 5 (S/D)**  
(740)

**VELNEXA**

---

(210) **555262** (540)  
(730) **Esmeralda Aragones**; AR  
(220) 05/10/2023  
(511) **25 (S/D)**  
(740)

(591) ROSA

**PULPA**

---

(210) **555263** (540)  
(730) **Fedirus S.A.**; UY  
(220) 05/10/2023  
(511) **16, 35 y 42** (740)

**CEIPRIN**

---

(210) **555264**  
(730) **AC VIAJES SAS**; UY  
(220) 06/10/2023  
(511) **39 (S/D)**  
(740)

(540)



---

(210) **555265**  
(730) **Marcos Olivera**; UY  
(220) 06/10/2023  
(511) **41**  
(740)

(540)



---

(210) **555276**  
(730) **SOUTH LUXURY S.A.S.**; UY  
(220) 06/10/2023  
(511) **3, 18, 20, 24 y 35**  
(740)

(540)

**AYMA**

---

(210) **555277** (540)  
(730) **SOUTH LUXURY S.A.S.**; UY  
(220) 06/10/2023  
(511) **25**  
(740)  
  
(591) 0



(210) **555279** (540)  
(730) **GARBARINO SAS**; UY  
(220) 06/10/2023  
(511) **30 (S/D)**  
(740)

(591) BLANCO, NEGRO



(210) **555295** (540)  
(730) **BAYER CONSUMER CARE AG**; CH  
(220) 06/10/2023  
(511) **5 (S/D)**  
(740)



(210) **555298** (540)  
(730) **Juan Carlos Caceres Tamilia; UY**  
(220) 06/10/2023  
(511) **41**  
(740)

## NIETOS DEL FUTURO

---

(210) **555300** (540)  
(730) **Compañía Rioplatense de Hoteles S.A.; UY**  
(220) 06/10/2023  
(511) **9, 28 (S/D) y 41**  
(740)

(591) AZUL, GRIS



---

(210) **555307** (540)  
(730) **SOCIEDAD TELEVISORA  
LARRANAGA S.A; UY**  
(220) 06/10/2023  
(511) **35, 38 y 41**  
(740)

(591) blanco, negro y rojo



(210) **555310** (540)  
(730) **AVON PRODUCTS, INC.;** US  
(220) 06/10/2023  
(511) **3 (S/D)**  
(740)  
(300) UK00003952189 01/09/2023 UK

## BEYOND THE MOON

---

(210) **555312** (540)  
(730) **Raute Oyj;** FI  
(220) 06/10/2023  
(511) **7 (S/D), 9 (S/D), 37 (S/D) y 42 (S/D)**(740)  
(591) Negro, Verde, Rojo, Azul, Naranja, Blanco



---

(210) **555313** (540)  
(730) **Raute Oyj;** FI  
(220) 06/10/2023  
(511) **7 (S/D), 9 (S/D), 37 (S/D) y 42 (S/D)**(740)

## RAUTE

---

(210) **555314**

(540)

(730) **MARCELO WILKORWSKY  
DUSCHITZ; UY**

(220) 06/10/2023

(511) **36**

(740)

(591) Negro y ocre



---

## ***SOLICITUDES DE FRASES PUBLICITARIAS***

(210) **554931**

(540)

(730) **PAPA JOHN'S INTERNATIONAL, INC.;**  
US

(220) 26/09/2023

(511) **29 (S/D), 30 (S/D), 39 (S/D) y 43 (S/**

**D)(740)**

**BETTER INGREDIENTS.  
BETTER PIZZA.**

---



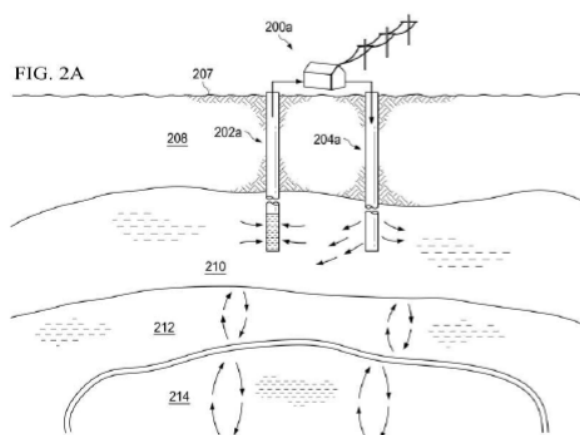
## SOLICITUDES DE PATENTES DE INVENCION

(19) Dirección Nacional de la Propiedad Industrial – URUGUAY

(12) Invención

(11) UY a/040166

- (51) **Clasificación Internacional:** E 21B 43/08(2006.01), E 21B 43/10(2006.01), F 24T 10/20(2018.01)
- (22) **Fecha de presentación:** 24/02/2023
- (30) **Datos de prioridad:** 18/099499 20/01/2023 US; 18/099509 20/01/2023 US; 18/099514 20/01/2023 US; 18/099518 20/01/2023 US y 63/315063 28/02/2022 US
- (71) **Solicitante:** EnhancedGEO Holdings, LLC [US]
- (72) **Inventor:** Kimberly C. CONNER [US]; Greg LINDBERG [US]
- (74)
- (54) **Título:** ENERGÍA GEOTÉRMICA DE YACIMIENTOS DE MAGMA Y FLUIDOS GEOTÉRMICOS SUPERCALIENTES



- (57) **Resumen:** Sistema, método, aparato para aprovechar la energía geotérmica de fluidos geotérmicos sobrecalentados (SHGF) y depósitos de magma. Puede incluir un filtro de pozo acoplado a un extremo de una tubería de revestimiento. El filtro del pozo determina el volumen del yacimiento subterráneo que puede llenarse de fluido. Tubería de revestimiento deslizante se alinea coaxialmente con filtro del pozo y se configura para ser reposicionada con relación al mismo. Tubo de extracción se extiende a través de la tubería de revestimiento deslizante para transportar el SHGF desde el depósito subterráneo hacia la superficie en función del reposicionamiento de la tubería.

**(19) Dirección Nacional de la Propiedad Industrial – URUGUAY****(12) Invención****(11) UY a/040170**

---

**(51) Clasificación Internacional:** A 61K 31/155(2006.01), A 61K 8/23(2006.01), A 61K 8/44(2006.01), A 61K 8/67(2006.01), A 61Q 11/00(2006.01)

**(22) Fecha de presentación:** 01/03/2023

**(30) Datos de prioridad:** 102022000003869 02/03/2022 IT

**(71) Solicitante:** RESTITUTA CASTELLACCIO [IT]

**(72) Inventor:** RESTITUTA CASTELLACCIO [IT]

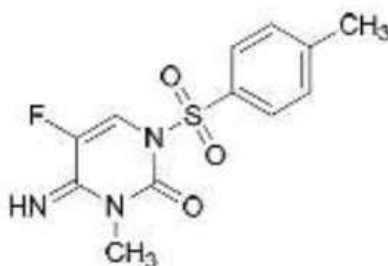
**(74)**

**(54) Título:** PRODUCTO DE CUIDADO BUCAL

**(57) Resumen:** La presente invención se refiere al uso de N-acetilcisteína para aumentar el efecto de las sales de metabisulfito de metales alcalinos o alcalinotérreos y ácido ascórbico para contrarrestar la pigmentación de las superficies dentales, las membranas mucosas dentales, restauraciones dentales o productos protésicos dentales en pacientes tratados con clorhexidina, y a un producto de cuidado bucal que comprende clorhexidina, al menos una sal de metabisulfito de un metal alcalino o alcalinotérreo, ácido ascórbico y N-acetilcisteína

**(19) Dirección Nacional de la Propiedad Industrial – URUGUAY****(12) Invención****(11) UY a/040172**

- (51) Clasificación Internacional:** A 01N 43/54(2006.01), A 01P 3/00(2006.01), C 07D 239/30(2006.01), C 07D 239/47(2006.01), C 07D 239/28(2006.01)  
// A 01P 3/00
- (22) Fecha de presentación:** 02/03/2023
- (30) Datos de prioridad:** 63/316,366 03/03/2022 US
- (71) Solicitante:** ADAMA MAKHTESHIM LTD. [IL]
- (72) Inventor:** Alexandra ROSENMUND [CH]; Salvatore CONESE [DE]
- (74)**
- (54) Título:** COMBINACIONES, MEZCLAS Y COMPOSICIONES FUNGICIDAS Y USOS DE LAS MISMAS



Fórmula I

- (57) Resumen:** La presente invención proporciona una combinación fungicida que comprende: (i) una cantidad de un compuesto de fórmula I y (ii) una cantidad de al menos un fungicida (A).

**(19) Dirección Nacional de la Propiedad Industrial – URUGUAY****(12) Invención****(11) UY a/040174**

- (51) Clasificación Internacional:** A 01N 25/04(2006.01), A 01N 43/54(2006.01), A 01N 43/56(2006.01), A 01P 3/00(2006.01), C 07D 231/14(2006.01), C 07D 239/52(2006.01)  
// A 01P 3/00
- (22) Fecha de presentación:** 07/03/2023
- (30) Datos de prioridad:** 63/317,124 07/03/2022 US
- (71) Solicitante:** Adama Makhteshim Ltd. [IL]
- (72) Inventor:** Diana POLIAK [IL]; Viacheslav FIRER SLAVA [IL]; Anna PRAIZ [IL]
- (74)**
- (54) Título:** SUSPENSIÓN AGROQUÍMICA NOVEDOSA DE FUNGICIDAS SDHI Y/O ESTROBILURINA
- (57) Resumen:** La presente invención se refiere a una suspensión agroquímica concentrada estable que comprende Fungicida SDHI y/o fungicida estrobilurina y componente estabilizante que comprende a) al menos un condensado de naftalenosulfonato; b) al menos un alcoxilato de alcohol graso; c) al menos un copolímero de bloque; d) opcionalmente al menos un polisiloxano organomodificado; 3) agua; y uso de dicha suspensión concentrada como fungicida en el campo agroquímico.

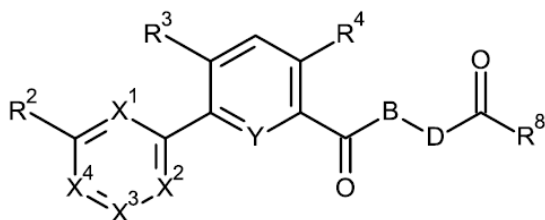
**(19) Dirección Nacional de la Propiedad Industrial – URUGUAY****(12) Invención****(11) UY a/040175**

- (51) Clasificación Internacional:** A 01N 31/02(2006.01), A 01N 43/56(2006.01), A 01P 7/04(2006.01), C 07D 401/04(2006.01)  
// A 01P 7/04
- (22) Fecha de presentación:** 07/03/2023
- (30) Datos de prioridad:** 63/317,570 08/03/2022 US
- (71) Solicitante:** FMC CORPORATION [US] y FMC Agro Singapore Pte. Ltd. [SG]
- (72) Inventor:** Luis TEIXEIRA [US]; Robert ALBER [IT]; Santiago Alejandro SCARPONI [AR]; Carlos Horacio FERNANDEZ BESCHTEDT [AR]; Jorge Luis MORRE [AR]; Paul DUNN [NZ]
- (74)**
- (54) Título:** Formulaciones de plaguicidas

- (57) Resumen:** La presente solicitud proporciona composiciones plaguicidas útiles para controlar una población de lepidópteros (p. ej., *Cydia pomonella*) y reducir el daño a los cultivos. También se proporcionan procesos de preparación de las composiciones, métodos de uso de las composiciones y dispositivos que comprenden las composiciones.

**(19) Dirección Nacional de la Propiedad Industrial – URUGUAY****(12) Invención****(11) UY a/040178**

- (51) Clasificación Internacional:** A 01N 43/40(2006.01), A 01N 43/48(2006.01), A 01N 43/54(2006.01), A 01N 43/58(2006.01), A 01N 43/60(2006.01), A 01P 13/00(2006.01), C 07D 213/60(2006.01), C 07D 213/61(2006.01), C 07D 239/24(2006.01), C 07D 401/04(2006.01)  
// A 01P 13/00
- (22) Fecha de presentación:** 10/03/2023
- (30) Datos de prioridad:** 22161532.1 11/03/2022 EP
- (71) Solicitante:** SYNGENTA CROP PROTECTION AG [CH]
- (72) Inventor:** WHITTINGHAM, William Guy [GB]
- (74)**
- (54) Título:** DERIVADOS DE PIRIDILO ACTIVOS COMO HERBICIDAS Y PROCEDIMIENTOS Y PRODUCTOS INTERMEDIOS USADOS PARA LA PREPARACIÓN DE TALES DERIVADOS



(I)

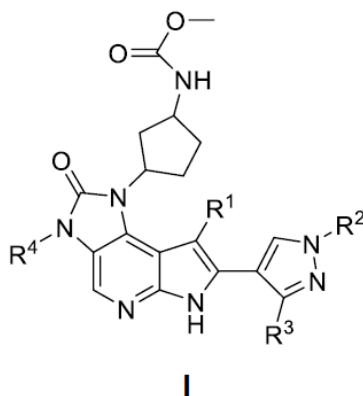
- (57) Resumen:** Compuestos de fórmula (I) (I) donde los sustituyentes son como se definen en la reivindicación 1, útiles como pesticidas, especialmente como herbicidas.

**(19) Dirección Nacional de la Propiedad Industrial – URUGUAY****(12) Invención****(11) UY a/040180**

- (51) Clasificación Internacional:** A 01N 43/40(2006.01), A 01N 43/653(2006.01), A 01N 59/02(2006.01), A 01P 3/00(2006.01), A 01P 7/02(2006.01), A 01P 7/04(2006.01), C 07D 213/60(2006.01), C 07D 213/61(2006.01), C 07D 405/06(2006.01)  
// A 01P 3/00, 7/02, 7/04
- (22) Fecha de presentación:** 14/03/2023
- (30) Datos de prioridad:** 63/319,408, 14/03/2022 US
- (71) Solicitante:** Adama Makhteshim Ltd. [IL]
- (72) Inventor:** Matteo CERNUSCHI [IT]
- (74)**
- (54) Título:** COMPOSICIÓN DE MEZCLA FUNGICIDA QUE COMPRENDE AZUFRE
- (57) Resumen:** La presente invención se refiere a combinaciones de mezclas de compuestos activos que comprenden una cantidad eficaz de azufre; una cantidad eficaz de al menos un fungicida o su sal, para combatir o prevenir enfermedades fúngicas de las plantas de cultivo. También se describen métodos para controlar ácaros o insectos que comprenden aplicar dichas combinaciones.

**(19) Dirección Nacional de la Propiedad Industrial – URUGUAY****(12) Invención****(11) UY a/040188**

- (51) Clasificación Internacional:** C 07D 471/14(2006.01), A 61K 31/437(2006.01), A 61P 35/02(2006.01), A 61P 35/00(2006.01)  
// A 61P 35/00, 35/02
- (22) Fecha de presentación:** 16/03/2023
- (30) Datos de prioridad:** 63/320,909 17/03/2022 US y 63/396,826 10/08/2022 US
- (71) Solicitante:** Incyte Corporation [US]
- (72) Inventor:** TAYLOR, Cooper [US]; AI, Yanran [CN]; YUE, Eddy W. [US]; ZHANG, Ke [US]; ZHENG, Zhitong [CN]; HE, Chunhong [US]
- (74)**
- (54) Título:** COMPUESTOS DE UREA TRICÍCLICA COMO INHIBIDORES DE JAK2 V617F

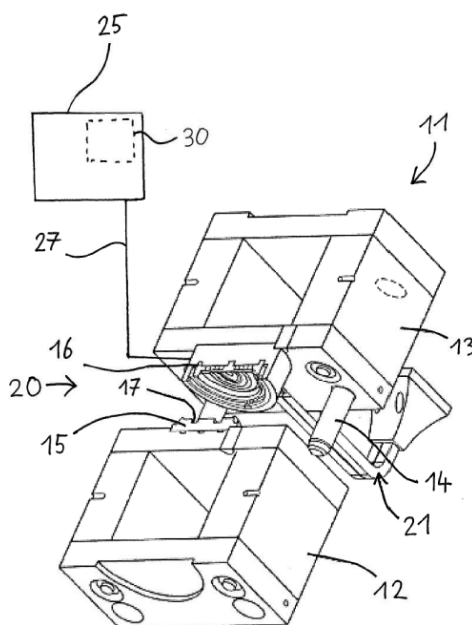


- (57) Resumen:** La presente solicitud proporciona compuestos de urea tricíclica que modulan la actividad de la variante V617F de JAK2, que son útiles en el tratamiento de varias enfermedades, incluido el cáncer.



**(19) Dirección Nacional de la Propiedad Industrial – URUGUAY****(12) Invención****(11) UY a/040190**

- (51) Clasificación Internacional:** B 21D 51/38(2006.01), B 65D 51/20(2006.01), B 65D 17/28(2006.01)
- (22) Fecha de presentación:** 20/03/2023
- (30) Datos de prioridad:** 10 2022 106 622.3 22/03/2022 DE
- (71) Solicitante:** Top Cap Holding GmbH [AT]
- (72) Inventor:** Gregor Anton PIECH [AT]
- (74)**
- (54) Título:** DISPOSITIVO Y PROCEDIMIENTO PARA FABRICAR UNA TAPA DE LATA.  
DE LATA.



- (57) Resumen:** La invención comprende un dispositivo para fabricar una tapa de lata, con una parte de tapa de lata de chapa metálica y al menos una parte de plástico unida a la parte de tapa de lata, comprendiendo: dos herramientas de prensado que pueden juntarse, que forman una prensa para prensar la parte de tapa de lata y la parte de plástico una contra otra, y un inductor para suministrar un campo alterno electromagnético al área de la prensa con el fin de calentar inductivamente la parte de tapa de lata y unirla con la parte de plástico prensada contra ella.

**(19) Dirección Nacional de la Propiedad Industrial – URUGUAY****(12) Invención****(11) UY a/040191**

---

- (51) Clasificación Internacional:** A 01N 25/04(2006.01), A 01N 25/22(2006.01), C 07B 63/04(2006.01)
- (22) Fecha de presentación:** 21/03/2023
- (30) Datos de prioridad:** 63/322, 360 22/03/2022 US
- (71) Solicitante:** FMC CORPORATION [US]
- (72) Inventor:** Evan Francis KELLER [US]; Laibin Bruce YAN [US]
- (74)**
- (54) Título:** PROCESOS PARA LA CRISTALIZACIÓN DE PLAGUICIDAS AMORFOS Y FORMULACIONES DE LOS MISMOS
- 
- (57) Resumen:** En el presente documento, se describen procesos para preparar suspensiones acuosas de plaguicidas orgánicos cristalinos a partir de su forma amorfa. También se describen en el presente documento formulaciones plaguicidas acuosas que incluyen las suspensiones acuosas preparadas.

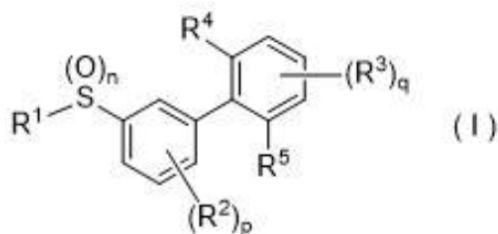
**(19) Dirección Nacional de la Propiedad Industrial – URUGUAY****(12) Invención****(11) UY a/040193**

- (51) Clasificación Internacional:** A 01N 43/56(2006.01), A 01N 43/653(2006.01), A 01N 47/14(2006.01), A 01N 55/02(2006.01), C 07D 231/14(2006.01), C 07D 249/12(2006.01)
- (22) Fecha de presentación:** 22/03/2023
- (30) Datos de prioridad:** 202221015733 22/03/2022 IN
- (71) Solicitante:** UPL LIMITED [IN]
- (72) Inventor:** CHAVAN, Popat Ganesh [IN]; SHIRSHAT, Rajan Ramakant [IN]; MUKHERJEE, Dev Varta [IN]
- (74)**
- (54) Título:** UNA COMPOSICIÓN FUNGICIDA AGROQUÍMICA

- (57) Resumen:** La presente invención se refiere a composiciones agroquímicas de fungicida de pirazol-carboxamida y sus combinaciones. La invención se refiere, además, a un método de control de enfermedades fitopatógenas mediante la aplicación de dichas composiciones a las plantas o a su locus.

**(19) Dirección Nacional de la Propiedad Industrial – URUGUAY****(12) Invención****(11) UY a/040195**

- (51) Clasificación Internacional:** A 01N 41/10(2006.01), C 07C 317/14(2006.01)  
**(22) Fecha de presentación:** 23/03/2023  
**(30) Datos de prioridad:** 2022-048030 24/03/2022 JP  
**(71) Solicitante:** SUMITOMO CHEMICAL COMPANY, LIMITED [JP]  
**(72) Inventor:** Yoshihiko NOKURA [JP]; Nao MAEHATA [JP]; Keisuke ARAI [JP]  
**(74)**  
**(54) Título:** MÉTODO PARA CONTROLAR ENFERMEDADES DE LAS PLANTAS.



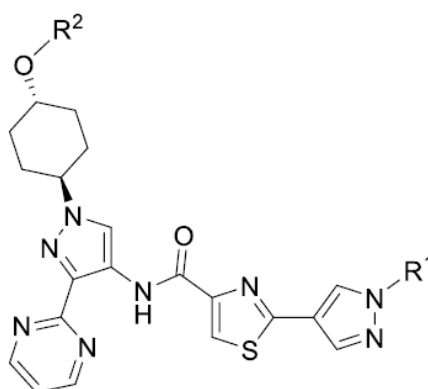
- (57) Resumen:** La presente invención proporciona un método para controlar una enfermedad de las plantas que comprende aplicar un compuesto representado por la fórmula (I).

## (19) Dirección Nacional de la Propiedad Industrial – URUGUAY

(12) Invención

(11) UY a/040197

- (51) **Clasificación Internacional:** C 07D 231/40(2006.01), C 07D 277/56(2006.01), C 07D 417/14(2006.01), C 07D 239/26(2006.01), A 61K 31/506(2006.01), A 61P 35/00(2006.01)  
// A 61P 35/00, C 07D 231/40, 239/26, 277/56
- (22) **Fecha de presentación:** 23/03/2023
- (30) **Datos de prioridad:** 63/322,955 23/03/2022 US
- (71) **Solicitante:** Rigel Pharmaceuticals, Inc. [US]
- (72) **Inventor:** Yan Chen [US]; Jack Maung [US]; Esteban Masuda [US]; Simon Shaw [GB]; David Sweeny [US]
- (74)
- (54) **Título:** COMPUESTOS DE PIRIMID-2-IL-PAZOL COMO INHIBIDORES DE IRAK



Fórmula I.

- (57) **Resumen:** Realizaciones dadas a conocer se refieren a compuestos inhibidores de cinasas asociadas a receptor de interleucina (IRAK) novedosos y a composiciones que comprenden tales compuestos. Los compuestos pueden tener una estructura según la fórmula I Fórmula I También se dan a conocer métodos de preparación y uso de los compuestos y las composiciones. Los compuestos y/o las composiciones dados a conocer pueden usarse para tratar o prevenir una enfermedad o afección asociada con IRAK.

**(19) Dirección Nacional de la Propiedad Industrial – URUGUAY****(12) Invención****(11) UY a/040199**

---

- (51) Clasificación Internacional:** A 01H 1/00(2006.01), C 12N 5/10(2006.01), C 12N 15/11(2006.01)
- (22) Fecha de presentación:** 28/03/2023
- (30) Datos de prioridad:** 63/324,985 29/03/2022 US
- (71) Solicitante:** MONSANTO TECHNOLOGY LLC [US]
- (72) Inventor:** Manjunath, Sivalinganna [US]; Slewinski, Thomas L. [US]; Wu, Xiaoyun [US]; Rymarquis, Linda [US]; Beach, Steven [US]
- (74)**
- (54) Título:** COMPOSICIONES Y MÉTODOS PARA MEJORAR LOS RASGOS Y EL RENDIMIENTO DEL MAÍZ MEDIANTE LA EDICIÓN DEL GE
- (57) Resumen:** Se proporcionan composiciones y métodos para reducir, interrumpir o alterar la actividad de ZmDA1 en plantas de maíz. También se proporcionan métodos y composiciones para producir modificaciones en el gen ZmDA1 mediante mutagénesis y/o edición. Se proporcionan además células vegetales modificadas y plantas con una modificación en el gen ZmDA1 que comprenden características mejoradas, como un mayor rendimiento.

**(19) Dirección Nacional de la Propiedad Industrial – URUGUAY****(12) Invención****(11) UY a/040200**

- (51) Clasificación Internacional:** A 01H 1/00(2006.01), C 12N 5/10(2006.01), C 12N 15/11(2006.01)
- (22) Fecha de presentación:** 28/03/2023
- (30) Datos de prioridad:** 63/324,994 29/03/2022 US
- (71) Solicitante:** MONSANTO TECHNOLOGY LLC [US]
- (72) Inventor:** Manjunath, Sivalinganna [US]; Slewinski, Thomas L. [US]; Wu, Xiaoyun [US]; Rymarquis, Linda [US]; Beach, Steven [US]
- (74)**
- (54) Título:** UNA CÉLULA QUE COMPRENDE UNA MODIFICACIÓN GENÓMICA, SECUENCIA POLINUCLEOTÍDICA RECOMBINANTE, COMPOSI
- (57) Resumen:** Se proporcionan composiciones y métodos para reducir, interrumpir o alterar la actividad de ZmDA2 en plantas de maíz. También se proporcionan métodos y composiciones para producir modificaciones en el gen ZmDA2 mediante mutagénesis y/o edición. Se proporcionan además células vegetales modificadas y plantas con una modificación en el gen ZmDA2 que comprenden características mejoradas, como un mayor rendimiento.

**(19) Dirección Nacional de la Propiedad Industrial – URUGUAY****(12) Invención****(11) UY a/040201**

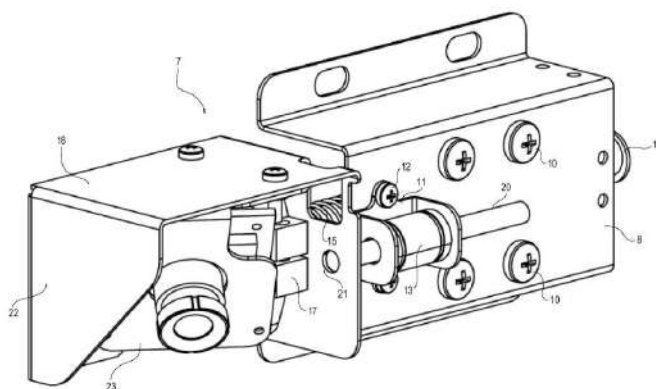
---

- (51) Clasificación Internacional:** A 01H 1/00(2006.01), C 12N 5/10(2006.01), C 12N 15/11(2006.01)
- (22) Fecha de presentación:** 28/03/2023
- (30) Datos de prioridad:** 63/325,003 29/03/2022 US
- (71) Solicitante:** MONSANTO TECHNOLOGY LLC [US]
- (72) Inventor:** SLEWINSKI, Thomas L [US]; WU, Xiaoyun [US]; BEACH, Steven [US]; RYMARQUIS, Linda [US]; MANJUNATH, Sivalinganna [US]
- (74)**
- (54) Título:** UNA CÉLULA QUE COMPRENDE UNA MODIFICACIÓN GENÓMICA, SECUENCIA POLINUCLEOTÍDICA RECOMBINANTE, COMPOSI
- (57) Resumen:** Se proporcionan composiciones y métodos para reducir, interrumpir o alterar la actividad de ZmDA2 en plantas de maíz. También se proporcionan métodos y composiciones para producir modificaciones en el gen ZmDA2 mediante mutagénesis y/o edición. Se proporcionan además células vegetales modificadas y plantas con una modificación en el gen ZmDA2 que comprenden características mejoradas, como un mayor rendimiento.



**(19) Dirección Nacional de la Propiedad Industrial – URUGUAY****(12) Invención****(11) UY a/040203**

- (51) **Clasificación Internacional:** G 06K 9/00(2006.01), G 07F 11/00(2006.01)  
(22) **Fecha de presentación:** 29/03/2023  
(30) **Datos de prioridad:** 63/324,830 29/03/2022 US  
(71) **Solicitante:** Intuitivo Tech LLC [US]  
(72) **Inventor:** Daniel GOMEZ [CO]; Tomas MANZITTI [IT]  
(74)  
(54) **Título:** SISTEMAS DE OPERACIÓN DE GABINETES/REFRIGERADORES PARA PUNTOS DE VENTA AUTÓNOMOS OPERADOS POR INTELIGENCIA ARTIFICIAL Y DISPOSICIÓN DE CÁMARAS DE VIDEO RETRÁCTILES PARA ESTOS SISTEMAS (Machine Learning & Computer Visión)



- (57) **Resumen:** Sistema de punto de venta autónomo, operable por el consumidor, que comprende un gabinete/heladera con una disposición retráctil de una o más cámaras de video que están montadas o incrustadas en el marco del gabinete/heladera sin ocupar volúmenes tanto en el exterior como en el interior del gabinete/heladera, siendo un sistema absolutamente autónomo gobernado por inteligencia artificial que permite que el consumidor seleccione el producto deseado, lo abone automáticamente y lo devuelva si se arrepintió para dejarlo y llevar otro en su lugar, siendo toda la acción registrada y la operación concluida exitosamente.

**(19) Dirección Nacional de la Propiedad Industrial – URUGUAY****(12) Invención****(11) UY a/040206**

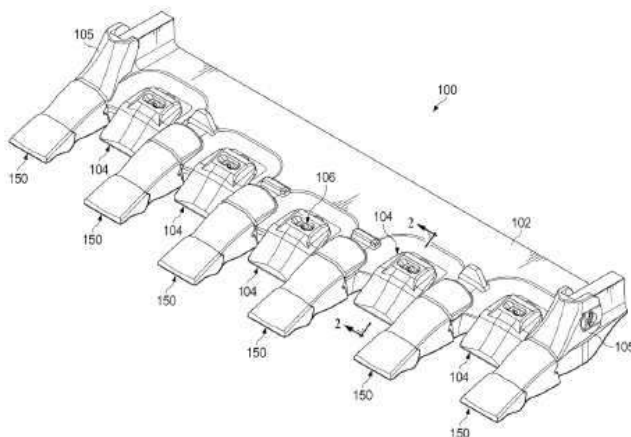
---

- (51) Clasificación Internacional:** A 01N 25/26(2006.01), A 01P 3/00(2006.01), A 01P 13/00(2006.01), A 01P 7/04(2006.01), C 07C 31/00(2006.01), C 07C 33/00(2006.01), C 07C 69/34(2006.01), C 09D 191/06(2006.01)  
// C 07C 31/00, 33/00, 69/34, C 09D 191/06
- (22) Fecha de presentación:** 31/03/2023
- (30) Datos de prioridad:** 202221019375 31/03/2022 IN
- (71) Solicitante:** UPL Limited [IN]
- (72) Inventor:** MALI, Ankush [IN]; SHIRSAT, Rajan Ramakant [IN]
- (74)**
- (54) Título:** UNA COMPOSICIÓN AGROQUÍMICA

- (57) Resumen:** La presente invención se refiere a una composición agroquímica que comprende un principio activo encapsulado. La presente invención se refiere más particularmente a una composición agroquímica que comprende un principio activo encapsulado, en donde la encapsulación proporciona una liberación controlada del principio activo.

**(19) Dirección Nacional de la Propiedad Industrial – URUGUAY****(12) Invención****(11) UY a/040212**

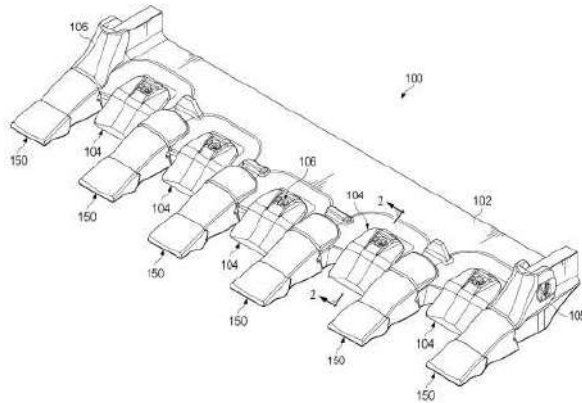
- (51) **Clasificación Internacional:** E 02F 9/28(2006.01), E 02F 3/80(2006.01)  
(22) **Fecha de presentación:** 10/04/2023  
(30) **Datos de prioridad:** 18/190,576 27/03/2023 US y 63/329,803 11/04/2022 US  
(71) **Solicitante:** HENSLEY, INDUSTRIES INC. [US]  
(72) **Inventor:** Yusuke KIYAMA [JP]; Venkata Prakash VEGUNTA [IN]; Mohamad Youssef BILAL [US]  
(74)  
(54) **Título:** MONTAJE DE EXCAVACIÓN CON SISTEMA DE SUJECCIÓN DE PIVOTE



- (57) **Resumen:** Un cuerpo de bloqueo con un alma que se extiende desde una superficie superior a una superficie lateral y una clavija. Un miembro de desgaste tiene un pasaje que se extiende a través de una pata y una cavidad de base de fijación formada en la pata que se extiende entre canales que tienen una superficie en ángulo descendente. Una base de fijación tiene una abertura central limitada por una pared de bloqueo. Las alas opuestas se extienden hacia arriba alejadas de la abertura central.

**(19) Dirección Nacional de la Propiedad Industrial – URUGUAY****(12) Invención****(11) UY a/040213**

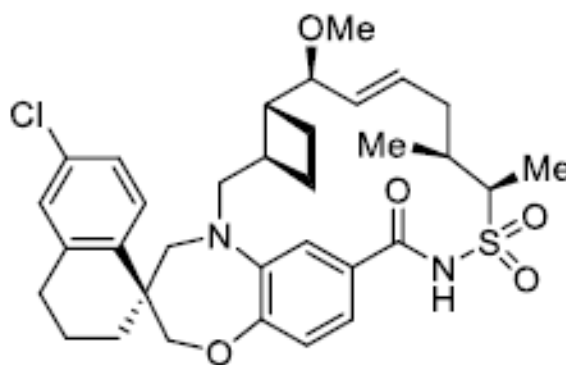
- (51) Clasificación Internacional:** E 02F 9/28(2006.01), E 02F 3/80(2006.01)  
**(22) Fecha de presentación:** 10/04/2023  
**(30) Datos de prioridad:** 18/190785 27/03/2023 US y 63/329807 11/04/2022 US  
**(71) Solicitante:** HENSLEY INDUSTRIES, INC. [US]  
**(72) Inventor:** Yusuke KIYAMA [JP]; Sean M. PITTS [US]; Mohamad Youssef BILAL [US]  
**(74)**  
**(54) Título:** SISTEMA DE MONTAJE DE EXCAVACIÓN CON SISTEMA DE SUJECIÓN DE COLLARÍN



- (57) Resumen:** Un montaje de bloqueo para asegurar un miembro de desgaste a una estructura de soporte incluye un collarín y una clavija. El collarín incluye una superficie superior, una superficie inferior opuesta a la superficie superior, un perfil de circunferencia exterior que incluye por lo menos ocho superficies planas que se extienden alrededor de un perímetro del collarín entre las superficies superior e inferior y un alma que se extiende a lo largo del eje central desde la superficie superior hasta la superficie inferior. La clavija está configurada para la recepción en el alma del collarín.

**(19) Dirección Nacional de la Propiedad Industrial – URUGUAY****(12) Invención****(11) UY a/040218**

- (51) Clasificación Internacional:** C 07D 513/10(2006.01), A 61K 31/553(2006.01), A 61P 35/00(2006.01)  
// A 61P 35/00
- (22) Fecha de presentación:** 10/04/2023
- (30) Datos de prioridad:** 63/327,656 05/04/2022 US
- (71) Solicitante:** AMGEN INC. [US]
- (72) Inventor:** Mary Chaves [US]; Manuel Zancanella [US]; Van Luu [US]; Yosup Rew [US]
- (74)**
- (54) Título:** FORMAS AMORFAS Y CRISTALINAS DE LOS ANTAGONISTAS DE MCI-1



- (57) Resumen:** En el presente documento se dan a conocer formas cristalinas y amorfas de 13',13'-dióxido de (1S,3'R,6'R,7'S,8'E,11'S,12'R)-6-cloro-7'-metoxi-11',12'-dimetil-3,4-dihidro-2H,15'H-espiro[naftaleno-1,22'-20]oxa[13]tia[1,14]diazatetraciclo[14.7.2.03,6.019,24]pentacosa[8,16,18,24]tetraen]-15'-ona (AMG 176): (AMG 176), y sales e hidratos de la misma. También se dan a conocer métodos para preparar las formas cristalinas y amorfas y métodos para tratar enfermedades y trastornos con las formas cristalinas y amorfas.

**(19) Dirección Nacional de la Propiedad Industrial – URUGUAY****(12) Invención****(11) UY a/040220**

**(51) Clasificación Internacional:** C 07D 471/04(2006.01), C 07D 231/12(2006.01), C 07D 239/74(2006.01), A 61K 31/517(2006.01), A 61K 31/519(2006.01), A 61P 35/00(2006.01)

// A 61P 35/00, C 07D 231/12

**(22) Fecha de presentación:** 10/04/2023

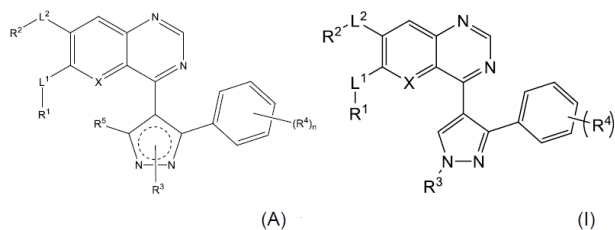
**(30) Datos de prioridad:** 63/327,631 05/04/2022 US

**(71) Solicitante:** BLUEPRINT MEDICINES CORPORATION [US]

**(72) Inventor:** Emanuele PEROLA [IT]; Meredith Suzanne ENO [US]; Thomas A. DINEEN [US]; Omar AHMAD [US]; Kevin K. BARVIAN [US]; Quentin PERRON [FR]; Vinicius Barros RIBEIRO DA SILVA [FR]; John Emmerson CAMPBELL [US]; Dilinie Prasadhini FERNANDO [US]

**(74)**

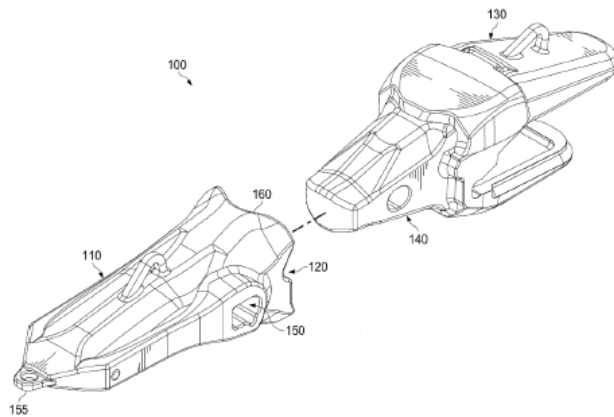
**(54) Título:** INHIBIDORES DE EGFR



**(57) Resumen:** La presente descripción proporciona un compuesto representado por la fórmula estructural (A) o (I): (A); o (I), o una sal farmacéuticamente aceptable de este útil para tratar el cáncer.

**(19) Dirección Nacional de la Propiedad Industrial – URUGUAY****(12) Invención****(11) UY a/040222**

- (51) Clasificación Internacional:** E 02F 9/28(2006.01), E 02F 3/80(2006.01)  
**(22) Fecha de presentación:** 12/04/2023  
**(30) Datos de prioridad:** 18/187,536 21/03/2023 US y 63/330,424 13/04/2022 US  
**(71) Solicitante:** HENSLEY INDUSTRIES, INC. [US]  
**(72) Inventor:** Evan M. ZELKOVICH [US]  
**(74)**
- (54) Título:** MIEMBRO DE DESGASTE REFORZADO



- (57) Resumen:** Un miembro de desgaste reforzado para el uso en aplicaciones de engranaje a la tierra. El miembro de desgaste puede tener un cuerpo con un centro incrustado. El cuerpo puede tener un extremo delantero y un extremo posterior opuesto. El centro puede tener un extremo frontal y un extremo posterior opuesto, en donde la altura del extremo frontal es menor que la altura del extremo posterior. El cuerpo puede ser primera composición y el centro puede ser una segunda composición diferente.

**(19) Dirección Nacional de la Propiedad Industrial – URUGUAY****(12) Invención****(11) UY a/040241**

---

- (51) Clasificación Internacional:** C 12N 15/11(2006.01), C 12N 15/85(2006.01), C 12N 5/10(2006.01), A 61K 48/00(2006.01), A 61P 7/04(2006.01)  
// A 61P 7/04
- (22) Fecha de presentación:** 26/04/2023
- (30) Datos de prioridad:** 2022111734 28/04/2022 RU
- (71) Solicitante:** Joint Stock Company "BIOCAD" [RU]
- (72) Inventor:** MOROZOV, Dmitry Valentinovich [RU]; SHUGAEVA, Tatiana Evgenievna [RU]; VLASOVA, Elena Veniaminovna [RU]; IAKOVLEV, Pavel Andreevich [OM]; PEREPELKINA, Mariya Pavlovna [RU]; STRELKOVA, Anna Nikolaevna [RU]; GERSHOVICH, Pavel Mikhailovich [RU]; FOMINA, Anastasiia Vladimirovna [RU]
- (74)**
- (54) Título:** ÁCIDO NUCLEICO DE CODÓN OPTIMIZADO QUE CODIFICA LA PROTEÍNA DEL FACTOR VIII DE COAGULACIÓN DE DOMINI
- (57) Resumen:** La presente solicitud está relacionada con los campos de la genética, la terapia génica y la biología molecular. Más específicamente, la presente invención se refiere a un ácido nucleico optimizado por codones que codifica la proteína FVIII-BDD (factor VIII de coagulación de dominio B suprimido), a un casete de expresión y a un vector basado en el mismo, a una célula huésped para producir FVIII-BDD, así como a diversos usos del vector anterior.



**(19) Dirección Nacional de la Propiedad Industrial – URUGUAY****(12) Invención****(11) UY a/040260**

**(51) Clasificación Internacional:** C 07K 16/30(2006.01), C 07K 16/46(2006.01), C 12N 15/11(2006.01), A 61P 35/00(2006.01)  
// A 61P 35/00

**(22) Fecha de presentación:** 05/05/2023

**(30) Datos de prioridad:** 63/338,751 05/05/2022 US

**(71) Solicitante:** AMGEN INC. [US]

**(72) Inventor:** Julie Bailis [US]

**(74)**

**(54) Título:** UNIÓN DE HETEROMULTÍMEROS DLL3 Y CD3

**(57) Resumen:** La divulgación proporciona un heteromultímero que comprende un primer heterodímero que se une al ligando 3 similar a delta humano (DLL3) y un segundo heterodímero que se une a CD3 humano, que puede unirse a células cancerosas que expresan DLL3. La divulgación también proporciona métodos para tratar un cáncer que expresa DLL3 en un sujeto que lo necesite, que comprende administrar al sujeto una cantidad efectiva del heteromultímero o una composición que comprende el heteromultímero.

**(19) Dirección Nacional de la Propiedad Industrial – URUGUAY****(12) Invención****(11) UY a/040324**

**(51) Clasificación Internacional:** A 61B 18/14(2006.01), A 61M 5/00(2006.01), A 61M 37/00(2006.01)

**(22) Fecha de presentación:** 22/06/2023

**(30) Datos de prioridad:** 63/355,702 27/06/2022 US

**(71) Solicitante:** Nutromics Technology Pty Ltd [AU]

**(72) Inventor:** LARSON, Mikel Fraser [US]; HODGES, Alastair McIndoe [AU]; CHAMBERS, Garry [AU]

**(74)**

**(54) Título:** APARATO DE MICROAGUJA DE USO EXTENDIDO

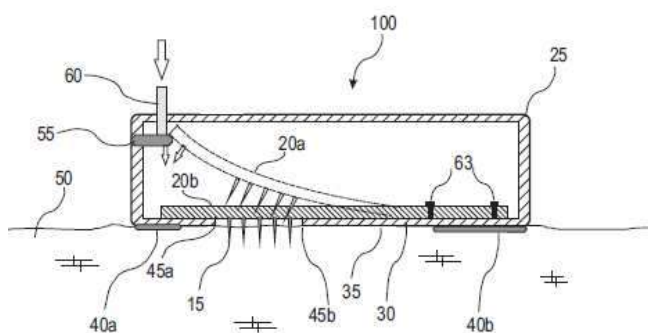
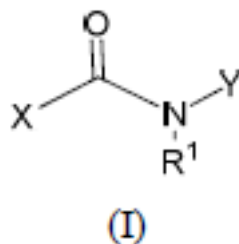


FIG. 1

**(57) Resumen:** Aparato para llevar puesto útil para mantener microagujas en contacto con el fluido intersticial de la piel. El aparato posee una parte que entra en contacto con la piel y una parte móvil que lleva las microagujas. Las microagujas se encuentran inicialmente en un estado retraído y se introducen a la piel mediante el movimiento de la parte móvil a lo largo de una ruta no lineal. El aparato posee un perfil bajo cuando se encuentra retraído en la piel y por lo tanto es menos molesto para las aplicaciones de uso extendido.

**(19) Dirección Nacional de la Propiedad Industrial – URUGUAY****(12) Invención****(11) UY a/040412**

- (51) **Clasificación Internacional:** C 07D 407/00(2006.01), A 61K 31/35(2006.01), A 61K 31/352(2006.01)
- (22) **Fecha de presentación:** 15/07/2016
- (30) **Datos de prioridad:** 62/193,391 16/07/2015 US; 62/299,633 25/02/2016 US y 36796 15/07/2016 UY
- (71) **Solicitante:** AbbVie S.á.r.l. [LU] y Galapagos NV [BE]
- (72) **Inventor:** Philip R. Kym [US]; Gregory A. Gfesser [US]; Xenia B. Searle [US]; Bo Liu [CN]; Ming C. Yeung [US]; Robert J. Altenbach [US]; Eric Voight [US]; Andrew Bogdan [US]; William Ramesh Esmieu [FR]; Stephen N. Greszler [US]; John R. Koenig [US]; Karine Fabienne Malagu [FR]; Marc J. Scanio [US]; Marlon D. Cowart [US]; Sachin V. Patel [US]; Xueqing Wang [CN]
- (74)
- (54) **Título:** TRICÍCLICOS SUSTITUIDOS Y MÉTODO PARA USARLOS



- (57) **Resumen:** Compuestos de fórmula (I) (I), donde X, Y y R1 tienen cualquiera de los valores que se definen en la memoria descriptiva, o sales farmacéuticamente aceptables de éstos, que son para tratar aquellas enfermedades o aquellas afecciones que están mediadas o moduladas por el CFTR, tales como la fibrosis quística, el síndrome de Sjögren, la insuficiencia pancreática, la enfermedad pulmonar obstructiva crónica o la enfermedad obstructiva crónica de las vías respiratorias. Composiciones farmacéuticas que comprenden uno o más compuestos de fórmula (I).

**(19) Dirección Nacional de la Propiedad Industrial – URUGUAY****(12) Invención****(11) UY a/040420**

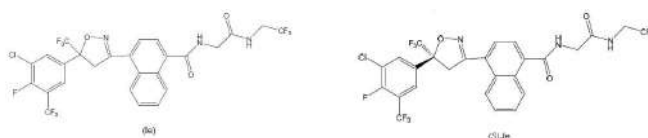
---

- (51) Clasificación Internacional:** C 07K 19/00(2006.01), C 07K 14/32(2006.01)  
**(22) Fecha de presentación:** 11/09/2023  
**(30) Datos de prioridad:** 36304 17/09/2015 UY  
**(71) Solicitante:** Spogen Biotech Inc. [US]  
**(72) Inventor:** Ashley Siegel [US]; Brian Thompson [US]  
**(74)**  
**(54) Título:** PROTEÍNAS DE FUSIÓN, BACTERIAS RECOMBINANTES Y MÉTODOS DE USO DE LAS BACTERIAS RECOMBINANTES

- (57) Resumen:** Proteínas de fusión que contienen una secuencia de direccionamiento, una proteína del exosporio o un fragmento de la misma que dirige la proteína de fusión al exosporio de un miembro de la familia de Bacillus cereus. También se proveen miembros recombinantes de la familia de Bacillus cereus; miembros genéticamente inactivados y modificaciones de estos. Además se proveen proteínas de fusión que comprenden una proteína de la cubierta de esporas y una proteína o un péptido de interés. ES DIVISIONAL DE 36304 DE FECHA 17/09/2015

**(19) Dirección Nacional de la Propiedad Industrial – URUGUAY****(12) Invención****(11) UY a/040429**

- (51) Clasificación Internacional:** A 01N 43/80(2006.01), C 07D 261/04(2006.01), A 61K 31/42(2006.01), A 61P 33/14(2006.01), A 61P 33/00(2006.01)  
// A 61P 33/00, 33/14
- (22) Fecha de presentación:** 14/09/2023
- (30) Datos de prioridad:** 37137 23/02/2017 UY
- (71) Solicitante:** Boehringer Ingelheim Animal Health USA Inc. [US]
- (72) Inventor:** Susan Mancini CADY [US]; Peter CHEIFETZ [US]; Loic LE HIR DE FALLOIS [US]; Charles Q. MENG [US]; Izabela GALESKA [US]
- (74)**
- (54) Título:** COMPUESTOS ANTIPARASITARIOS DE ISOXAZOLINA, FORMULACIONES INYECTABLES DE ACCIÓN PROLONGADA QUE LOS COMPRENDEN, MÉTODOS Y USOS DE LOS MISMOS



- (57) Resumen:** Composiciones inyectables de acción prolongada para combatir parásitos en animales, que comprenden por lo menos un agente activo de isoxazolina, un PEG líquido y/o un aceite neutro, opcionalmente un cosolvente, y opcionalmente un aditivo o excipiente farmacéuticamente aceptable. También, nuevos agentes activos de isoxazolina con eficacia de acción prolongada contra los ectoparásitos. Además, métodos mejorados para erradicar, controlar, y prevenir las infecciones e infestaciones por parásitos en un animal, que comprenden administrar los novedosos compuestos de isoxazolina y las composiciones inyectables de acción prolongada de la invención al animal que lo necesita. ES DIVISIONAL DE 37137 DE FECHA 23/02/2017

## ***SOLICITUDES DE DISEÑOS INDUSTRIALES***

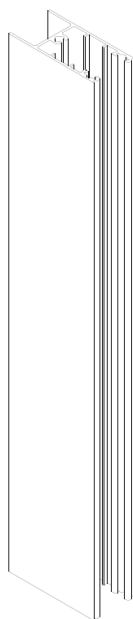
**(19) Dirección Nacional de la Propiedad Industrial – URUGUAY**

**(12) Diseño Industrial**

**(11) UY s/005111**

---

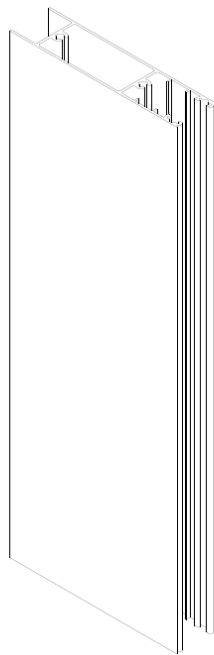
- (51) Clasificación Internacional:** 25-01  
**(22) Fecha de presentación:** 23/08/2023  
**(30) Datos de prioridad:**  
**(71) Solicitante:** Corelux S.R.L [UY]  
**(72) Inventor:** Juan Manuel Aristimuño Buzó [UY]  
**(74)**  
**(54) Título:** Perfil para abertura de aluminio referencia 7776



- (57) Resumen:** Perfil para abertura de aluminio

**(19) Dirección Nacional de la Propiedad Industrial – URUGUAY****(12) Diseño Industrial****(11) UY s/005112**

- (51) Clasificación Internacional:** 25-01  
**(22) Fecha de presentación:** 23/08/2023  
**(30) Datos de prioridad:**  
**(71) Solicitante:** Corelux S.R.L [UY]  
**(72) Inventor:** Juan Manuel Aristimuño Buzó [UY]  
**(74)**  
**(54) Título:** Perfil para abertura de aluminio referencia 7777

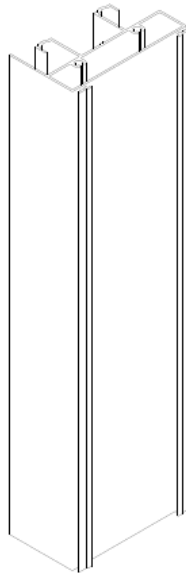


- (57) Resumen:** Perfil para abertura de aluminio

**(19) Dirección Nacional de la Propiedad Industrial – URUGUAY****(12) Diseño Industrial****(11) UY s/005113**

---

- (51)** Clasificación Internacional: 25-01  
**(22)** Fecha de presentación: 23/08/2023  
**(30)** Datos de prioridad:  
**(71)** Solicitante: Corelux S.R.L [UY]  
**(72)** Inventor: Juan Manuel Aristimuño Buzó [UY]  
**(74)**  
**(54)** Título: Perfil para abertura de aluminio referencia 7801

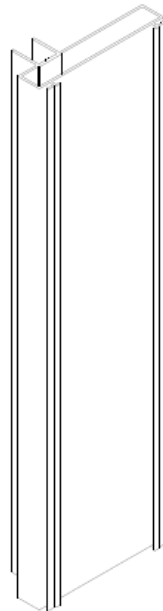


- (57)** Resumen: Perfil para abertura de aluminio



**(19) Dirección Nacional de la Propiedad Industrial – URUGUAY****(12) Diseño Industrial****(11) UY s/005114**

- (51) Clasificación Internacional:** 25-01  
**(22) Fecha de presentación:** 23/08/2023  
**(30) Datos de prioridad:**  
**(71) Solicitante:** Corelux S.R.L [UY]  
**(72) Inventor:** Juan Manuel Aristimuño Buzó [UY]  
**(74)**  
**(54) Título:** Perfil para abertura de aluminio referencia 7802

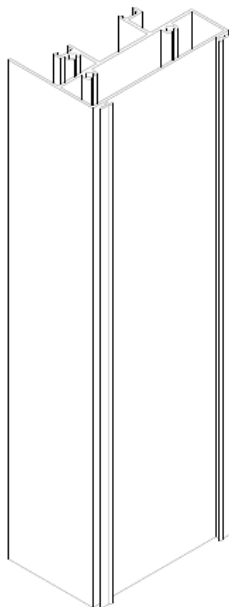


- (57) Resumen:** Perfil para abertura de aluminio

**(19) Dirección Nacional de la Propiedad Industrial – URUGUAY****(12) Diseño Industrial****(11) UY s/005115**

---

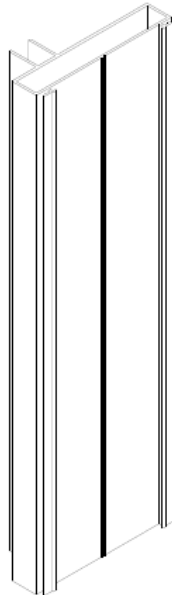
- (51)** Clasificación Internacional: 25-01  
**(22)** Fecha de presentación: 23/08/2023  
**(30)** Datos de prioridad:  
**(71)** Solicitante: Corelux S.R.L [UY]  
**(72)** Inventor: Juan Manuel Aristimuño Buzó [UY]  
**(74)**  
**(54)** Título: Perfil para abertura de aluminio referencia 6100



- (57)** Resumen: Perfil para abertura de aluminio

**(19) Dirección Nacional de la Propiedad Industrial – URUGUAY****(12) Diseño Industrial****(11) UY s/005116**

- (51) Clasificación Internacional:** 25-01  
**(22) Fecha de presentación:** 23/08/2023  
**(30) Datos de prioridad:**  
**(71) Solicitante:** Corelux S.R.L [UY]  
**(72) Inventor:** Juan Manuel Aristimuño Buzó [UY]  
**(74)**  
**(54) Título:** Perfil para abertura de aluminio referencia 6102



- (57) Resumen:** Perfil para abertura de aluminio

**(19) Dirección Nacional de la Propiedad Industrial – URUGUAY****(12) Diseño Industrial****(11) UY s/005117**

---

- (51)** Clasificación Internacional: 25-01  
**(22)** Fecha de presentación: 23/08/2023  
**(30)** Datos de prioridad:  
**(71)** Solicitante: Corelux S.R.L [UY]  
**(72)** Inventor: Juan Manuel Aristimuño Buzó [UY]  
**(74)**  
**(54)** Título: Perfil para abertura de aluminio referencia 6104

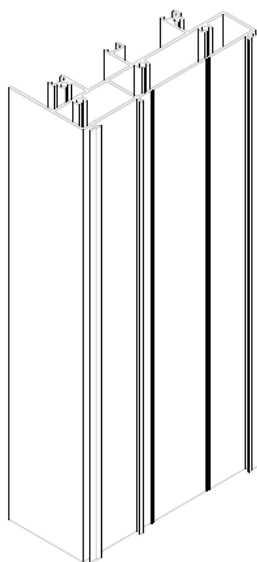


FIGURA 2 VISTA EN PERSPECTIVA

- (57)** Resumen: Perfil para abertura de aluminio

**(19) Dirección Nacional de la Propiedad Industrial – URUGUAY****(12) Diseño Industrial****(11) UY s/005118**

- (51) Clasificación Internacional:** 25-01  
**(22) Fecha de presentación:** 23/08/2023  
**(30) Datos de prioridad:**  
**(71) Solicitante:** Corelux S.R.L [UY]  
**(72) Inventor:** Juan Manuel Aristimuño Buzó [UY]  
**(74)**  
**(54) Título:** Perfil para abertura de aluminio referencia 6105

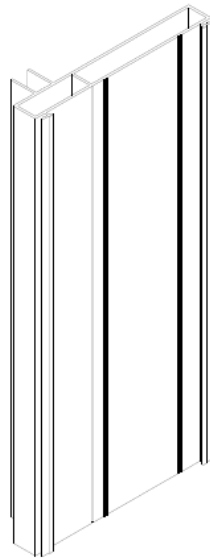


FIGURA 2 VISTA EN PERSPECTIVA

- (57) Resumen:** Perfil para abertura de aluminio

**(19) Dirección Nacional de la Propiedad Industrial – URUGUAY****(12) Diseño Industrial****(11) UY s/005119**

---

- (51) Clasificación Internacional:** 25-01  
**(22) Fecha de presentación:** 23/08/2023  
**(30) Datos de prioridad:**  
**(71) Solicitante:** Corelux S.R.L [UY]  
**(72) Inventor:** Juan Manuel Aristimuño Buzó [UY]  
**(74)**  
**(54) Título:** Perfil para abertura de aluminio referencia 6106

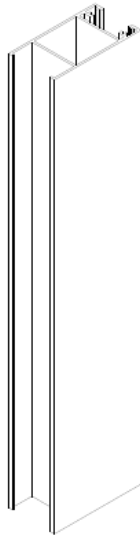


FIGURA 2 VISTA EN PERSPECTIVA

- (57) Resumen:** Perfil para abertura de aluminio

**(19) Dirección Nacional de la Propiedad Industrial – URUGUAY****(12) Diseño Industrial****(11) UY s/005120**

- (51) Clasificación Internacional:** 25-01  
**(22) Fecha de presentación:** 23/08/2023  
**(30) Datos de prioridad:**  
**(71) Solicitante:** Corelux S.R.L [UY]  
**(72) Inventor:** Juan Manuel Aristimuño Buzó [UY]  
**(74)**  
**(54) Título:** Perfil para abertura de aluminio referencia 6107

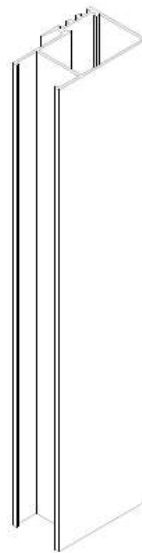


FIGURA 2 VISTA EN PERSPECTIVA

- (57) Resumen:** Perfil para abertura de aluminio

**(19) Dirección Nacional de la Propiedad Industrial – URUGUAY****(12) Diseño Industrial****(11) UY s/005121**

---

- (51) Clasificación Internacional:** 25-01  
**(22) Fecha de presentación:** 23/08/2023  
**(30) Datos de prioridad:**  
**(71) Solicitante:** Corelux S.R.L [UY]  
**(72) Inventor:** María José Penot [UY]; Juan Manuel Aristimuño Buzó [UY]  
**(74)**  
**(54) Título:** Perfil para abertura de aluminio referencia 6108

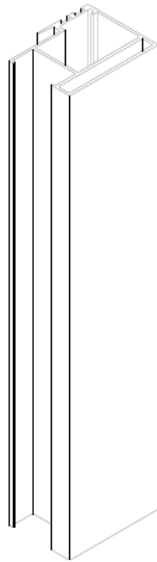


FIGURA 2 VISTA EN PERSPECTIVA

- (57) Resumen:** Perfil para abertura de aluminio



**(19) Dirección Nacional de la Propiedad Industrial – URUGUAY****(12) Diseño Industrial****(11) UY s/005122**

- (51) Clasificación Internacional:** 25-01  
**(22) Fecha de presentación:** 23/08/2023  
**(30) Datos de prioridad:**  
**(71) Solicitante:** Corelux S.R.L [UY]  
**(72) Inventor:** María José Penot [UY]; Juan Manuel Aristimuño Buzó [UY]  
**(74)**  
**(54) Título:** Perfil para abertura de aluminio referencia 6109

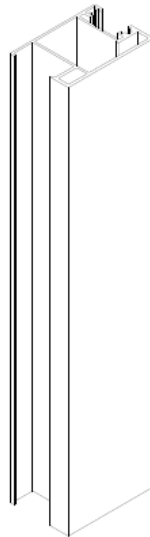


FIGURA 2 VISTA EN PERSPECTIVA

- (57) Resumen:** Perfil para abertura de aluminio

**(19) Dirección Nacional de la Propiedad Industrial – URUGUAY****(12) Diseño Industrial****(11) UY s/005123**

---

- (51)** Clasificación Internacional: 25-01  
**(22)** Fecha de presentación: 23/08/2023  
**(30)** Datos de prioridad:  
**(71)** Solicitante: Corelux S.R.L [UY]  
**(72)** Inventor: Juan Manuel Aristimuño Buzó [UY]  
**(74)**  
**(54)** Título: Perfil para abertura de aluminio referencia 6110



FIGURA 2 VISTA EN PERSPECTIVA

- (57)** Resumen: Perfil para abertura de aluminio

**(19) Dirección Nacional de la Propiedad Industrial – URUGUAY****(12) Diseño Industrial****(11) UY s/005124**

- (51) Clasificación Internacional:** 25-01  
**(22) Fecha de presentación:** 23/08/2023  
**(30) Datos de prioridad:**  
**(71) Solicitante:** Corelux S.R.L [UY]  
**(72) Inventor:** Juan Manuel Aristimuño Buzó [UY]  
**(74)**  
**(54) Título:** Perfil para abertura de aluminio referencia 6111

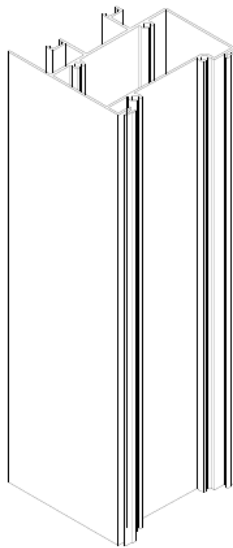


FIGURA 2 VISTA EN PERSPECTIVA

- (57) Resumen:** Perfil para abertura de aluminio

**(19) Dirección Nacional de la Propiedad Industrial – URUGUAY****(12) Diseño Industrial****(11) UY s/005125**

---

- (51) Clasificación Internacional:** 25-01  
**(22) Fecha de presentación:** 23/08/2023  
**(30) Datos de prioridad:**  
**(71) Solicitante:** Corelux S.R.L [UY]  
**(72) Inventor:** María José Penot [UY]; Juan Manuel Aristimuño Buzó [UY]  
**(74)**  
**(54) Título:** Perfil para abertura de aluminio referencia 6114

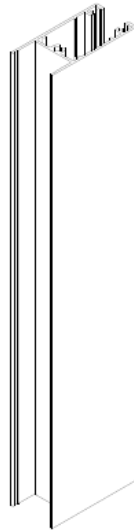


FIGURA 2 VISTA EN PERSPECTIVA

- (57) Resumen:** Perfil para abertura de aluminio

**(19) Dirección Nacional de la Propiedad Industrial – URUGUAY****(12) Diseño Industrial****(11) UY s/005126**

- (51) Clasificación Internacional:** 25-01  
**(22) Fecha de presentación:** 23/08/2023  
**(30) Datos de prioridad:**  
**(71) Solicitante:** Corelux S.R.L [UY]  
**(72) Inventor:** María José Penot [UY]; Juan Manuel Aristimuño Buzó [UY]  
**(74)**  
**(54) Título:** Perfil para abertura de aluminio referencia 6115

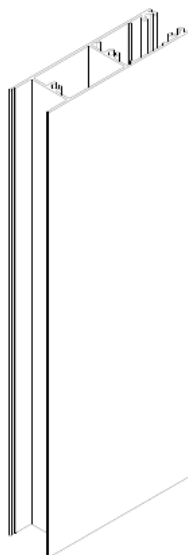


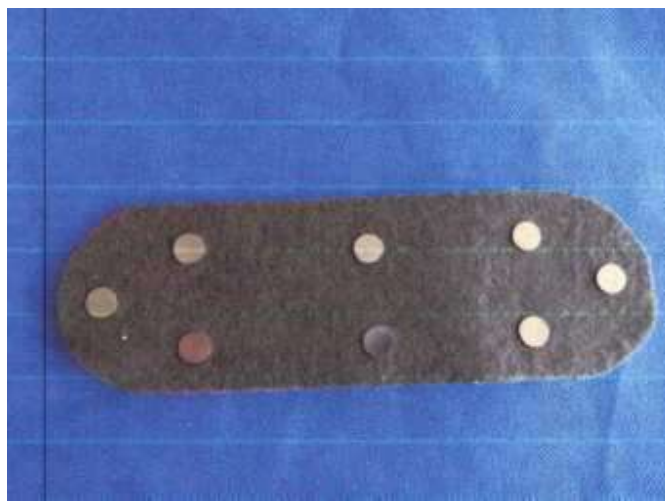
FIGURA 2 VISTA EN PERSPECTIVA

- (57) Resumen:** Perfil para abertura de aluminio

**(19) Dirección Nacional de la Propiedad Industrial – URUGUAY****(12) Diseño Industrial****(11) UY s/005138**

---

- (51) Clasificación Internacional:** 24-04  
**(22) Fecha de presentación:** 19/09/2023  
**(30) Datos de prioridad:**  
**(71) Solicitante:** Lucía Ferreira [UY]  
**(72) Inventor:** Lucia Ferreira [UY]  
**(74)**  
**(54) Título:** RODILLERA MAGNÉTICA



- (57) Resumen:** Banda rectangular de 20 cm de largo por 6 cm de ancho, con 8 imanes circulares de neodimio con una carga de 1400 gauss cada uno y están dispuestos a lo largo y ancho para cubrir bien el campo de la articulación de la rodilla. Cada imán terapéutico tiene su propio campo circular y actúa en expansión y profundidad e interactúan entre sí. La analgesia y relajación es transmitida por el imán a través de la sinapsis de las neuronas y con el hierro que tenemos en sangre, mejorando la circulación sanguínea. El imán es bipolar y utilizamos la polaridad negativa, identificada de color rojo para la analgesia y relajación, en el hemisferio sur.

**(19) Dirección Nacional de la Propiedad Industrial – URUGUAY****(12) Diseño Industrial****(11) UY s/005139**

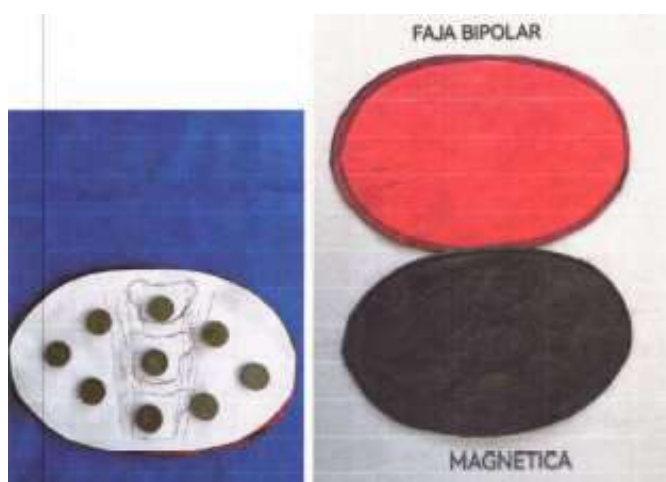
- (51) Clasificación Internacional:** 24-04  
**(22) Fecha de presentación:** 19/09/2023  
**(30) Datos de prioridad:**  
**(71) Solicitante:** Lucía Ferreira [UY]  
**(72) Inventor:** Lucia Ferreira [UY]  
**(74)**  
**(54) Título:** MUÑEQUEARA MAGNÉTICA



- (57) Resumen:** Banda rectangular de 18 cm por 2 cm de ancho con 5 imanes circulares de neodimio de 140 Gauss de carga cada uno, su campo es circular y actúa en profundidad y expansión e interactúan entre sí. Transmiten analgesia y relajación a través de las sinapsis de las neuronas y también mejora la circulación a través del hierro que tenemos en sangre. El imán es bipolar, como estamos en el hemisferio sur se usa la polaridad opuesta para la analgesia y relajación, polo negativo del imán identificado con el color rojo hacia la piel.

**(19) Dirección Nacional de la Propiedad Industrial – URUGUAY****(12) Diseño Industrial****(11) UY s/005140**

- (51) Clasificación Internacional:** 24-04  
**(22) Fecha de presentación:** 19/09/2023  
**(30) Datos de prioridad:**  
**(71) Solicitante:** Lucía Ferreira [UY]  
**(72) Inventor:** Lucia Ferreira [UY]  
**(74)**  
**(54) Título:** PLANCHA MAGNÉTICA



- (57) Resumen:** De forma oval con 9 imanes circulares terapéuticos, colocados en función anatómica. El imán terapéutico tiene una carga de 800 gauss cada uno, son de ferrite, su campo es circular y actúan en expansión y profundidad en forma individual e interactúan entre sí. Transmiten analgesia y relajación a través de las sinapsis de las neuronas y también mejora la circulación a través del hierro que tenemos en sangre. El imán es bipolar, como estamos en el hemisferio sur se usa la polaridad opuesta para la analgesia y relajación, polo negativo del imán identificado con el color rojo hacia la piel; se puede usar en cualquier parte del cuerpo para la analgesia. La plancha está pegada y cosida para evitar que se despeguen y que inviertan la polaridad del imán.



## ***SOLICITUDES DE MODELOS DE UTILIDAD***

**(19) Dirección Nacional de la Propiedad Industrial – URUGUAY**

**(12) Modelo de Utilidad**

**(11) UY u/004875**

- (51) Clasificación Internacional:** A 23L 2/02(2006.01)  
**(22) Fecha de presentación:** 12/04/2023  
**(30) Datos de prioridad:**  
**(71) Solicitante:** MARCELO TOCCHETTO [UY]  
**(72) Inventor:** MARCELO VIRGILIO TOCCHETTO FIALLO [UY]  
**(74)**  
**(54) Título:** COCKTAIL FRUTAL SIN AZUCAR

- (57) Resumen:** Se trata de una bebida a realizar en un vaso de 20 a 25 cm de altura, que se llena de hielo rolito, compuesta por jugo mix de frutas light en un 30% un chorro de jugo de limón, y se completa con agua tónica sin azúcar. Los fluidos quedan segmentados y la mezcla camaleónica se realiza al volcar el vaso Frutal, fresco, light, sin alcohol, sano. Ideal para acompañar almuerzos o cenas y evitar los riesgos del alcohol al conducir.

**Depósito legal 325.532**  
**(N° 295)**  
**Impreso en D.N.P.I.**  
**E-mail: [administracion.dnpi@miem.gub.uy](mailto:administracion.dnpi@miem.gub.uy)**  
**Rincón 719 Telefax 2840 1234**  
**C.P. 11.000**  
**Montevideo – Uruguay**

**Montevideo, 13 de octubre de 2023**



Ministerio  
**de Industria,  
Energía y Minería**

Dirección Nacional  
**de la Propiedad Industrial**

