

Boletín de la Propiedad Industrial

Nº 294

República Oriental del Uruguay

Ministerio de Industria, Energía y Minería
Dirección Nacional de la Propiedad Industrial

29/09/2023



Ministerio
**de Industria,
Energía y Minería**

Dirección Nacional
de la Propiedad Industrial

República Oriental del Uruguay



Ministerio
**de Industria,
Energía y Minería**

*Dirección Nacional de la
Propiedad Industrial*

BOLETÍN

**DE LA PROPIEDAD
INDUSTRIAL**

REPÚBLICA ORIENTAL DEL URUGUAY



MINISTERIO DE INDUSTRIA, ENERGÍA Y MINERÍA

DIRECCIÓN NACIONAL DE LA PROPIEDAD INDUSTRIAL

ING. OMAR PAGANINI

MINISTRO DE INDUSTRIA, ENERGÍA Y MINERÍA

SR. WALTER VERRI

SUBSECRETARIO

MINISTERIO DE INDUSTRIA, ENERGÍA Y MINERÍA

ING. MAG. ELISA FACIO

DIRECTORA GENERAL DE SECRETARÍA

MINISTERIO DE INDUSTRIA, ENERGÍA Y MINERÍA

DR. MAG. SANTIAGO MARTÍNEZ MORALES

DIRECTOR TÉCNICO DE LA PROPIEDAD INDUSTRIAL

MINISTERIO DE INDUSTRIA, ENERGÍA Y MINERÍA

SOLICITUDES DE MARCAS

(210) **550978** (540)
(730) **IRIO SAS**; UY
(220) 01/06/2023
(511) **37 (S/D)**
(740)

(591) Negro, Blanco, Naranja, verde seco, azul marino y gris



(210) **551450** (540)
(730) **María Alejandra Frugoni**; UY
(220) 13/06/2023
(511) **35 (S/D) y 45 (S/D)**
(740)

(591) Lavanda claro (código HEX: #d9c6ff), negro (HEX: #000000), blanco (HEX: #ffffff)



(210) **551744** (540)
(730) **SOFIA CAMPS**; UY
(220) 22/06/2023
(511) **25 (S/D) y 35 (S/D)**
(740)

(591) ROJO,FONDO BLANCO



(210) **552692** (540)
(730) **DINNTECO FACTORY GASTEIZ, S.L.;**
ES
(220) 19/07/2023
(511) **9 (S/D), 35 (S/D) y 37 (S/D)**(740)

DINEOL

(210) **553300** (540)
(730) **NOBELMOR Sociedad Anónima; UY**
(220) 04/08/2023
(511) **32**
(740)

(591) no tiene



(210) **553498** (540)
(730) **MOISÉS MARIO SERESEVSKY; AR**
(220) 11/08/2023
(511) **11**
(740)

(591) Gris y Negro



(210) **553642** (540)
(730) **Nicolas Thevenet y Helios Chernic**; UY
(220) 15/08/2023
(511) **43 y 44**
(740)

Acacia

(210) **553751** (540)
(730) **RODRIGO DIAZ y Martina Diaz**; UY
(220) 18/08/2023
(511) **30 (S/D)**
(740)



(210) **553805** (540)
(730) **Carlos Alberto Rebagliati**; AR
(220) 21/08/2023
(511) **36 (S/D)**
(740)

CASAS DE PLAYA

(210) **553808** (540)
(730) **Anderson Watts Ltd.**; CA
(220) 21/08/2023
(511) **30 (S/D)**
(740)

(591) NEGRO, BLANCO



(210) **553867** (540)
(730) **ELIANNA CHARLIN CARESANI**; UY
(220) 23/08/2023
(511) **44**
(740)

(591) No reivindica colores



(210) **553868** (540)
(730) **Swisscom (Schweiz) AG**; CH
(220) 23/08/2023
(511) **25 (S/D)**
(740)
(300) 03499/2023 16/03/2023 CH

(210) **553928** (540)
(730) **Hillel: The Foundation for Jewish Campus
Life**; US
(220) 24/08/2023
(511) **41**
(740)
(300) 97812829 27/02/2023 US

ALL KINDS OF JEWISH

(210) **553929** (540)
(730) **Kia Corporation**; KR
(220) 24/08/2023
(511) **12 (S/D)**
(740)

(591) -

The logo for KIA K3, featuring the word "KIA" in a bold, stylized font followed by "K3" in a similar font.

(210) **553944** (540)
(730) **GLOBAL CONTACT URUGUAY SAS**;
UY
(220) 24/08/2023
(511) **37 (S/D) y 39 (S/D)**
(740)

(591) Azul y Verde

The logo for GlobalAssist, featuring two overlapping circles (one blue, one green) above the text "GlobalAssist" and the tagline "Asistencias para una vida plena" below it.

GlobalAssist
Asistencias para una vida plena

(210) **553950** (540)
(730) **Swatch AG (Swatch SA) (Swatch Ltd.); CH**
(220) 28/08/2023
(511) **9 (S/D) y 14 (S/D)**
(740)
(300) 02670/2023 28/02/2023 CH

MOONSWATCH

(210) **553975** (540)
(730) **PROFILE INDUSTRIES, INC.,; US**
(220) 28/08/2023
(511) **7 (S/D) y 35**
(740)

(591) azul, celeste,



(210) **553978** (540)
(730) **EIRENE PROJETOS E CONSULTORIA
LTDA; BR**
(220) 28/08/2023
(511) **7**
(740)



(210) **553983**
(730) **AQUA PARK S.A.S.**; UY
(220) 29/08/2023
(511) **41**
(740)

(540)

(591) No se reivindican



(210) **553998**
(730) **María Claudia Begino Rodríguez**; UY
(220) 29/08/2023
(511) **4 y 44 (S/D)**
(740)

(540)

(591) PANTONE 3298 C



(210) **554151**
(730) **logeco ltda**; UY
(220) 01/09/2023
(511) **1**
(740)

(540)

LOGFLOC

(210) **554152**
(730) **logeco ltda;** UY
(220) 01/09/2023
(511) **1**
(740)

(540)

CITRILOR

(210) **554153**
(730) **Louruguay S.A.;** UY
(220) 01/09/2023
(511) **12 (S/D) y 37 (S/D)**
(740)

(540)



(210) **554188**
(730) **Endemol Shine Nederland Producties B.V.;**
NL
(220) 01/09/2023
(511) **9 (S/D)**
(740)

(540)

GRAN HERMANO

(210) **554192** (540)
(730) **FOSHAN HAITIAN FLAVOURING &
FOOD CO., LTD.;** CN
(220) 01/09/2023
(511) **29 (S/D), 30 (S/D), 31 (S/D), 32 (S/D) y 33
(S/D)**
(740)

(591) 0



(210) **554257** (540)
(730) **Leandro Baisón;** UY
(220) 05/09/2023
(511) **35 (S/D), 38 (S/D) y 42 (S/D)**
(740)

(591) bc008e - 0091d9 - 653fb8 - negro



(210) **554270** (540)
(730) **ITURRIA MELLO, JOSE ANTONIO;** UY
(220) 05/09/2023
(511) **37**
(740)

(591) AZUL, CELESTE Y BLANCO



(210) **554292** (540)
(730) **María Soledad Carlos Perazza; UY**
(220) 06/09/2023
(511) **16 (S/D) y 41**
(740)



(210) **554313** (540)
(730) **VALENTINA AREAN ABASCAL; UY**
(220) 06/09/2023
(511) **30**
(740)

(591) BLANCO Y NEGRO



(210) **554314** (540)
(730) **MIRABALLES INGENIERIA S.A.S; UY**
(220) 06/09/2023
(511) **35**
(740)



(210) **554327** (540)
(730) **AFRY AB**; SE
(220) 07/09/2023
(511) **35 (S/D), 37 (S/D) y 42 (S/D)**(740)

AFRY

(210) **554332** (540)
(730) **Hugo Alfredo Vianes Cuti y Ana Karen's Etcheverry Montero**; UY
(220) 07/09/2023
(511) **3 (S/D)**
(740)

(591) negro, dorado



(210) **554338** (540)
(730) **DUNAK LA PEDRERA SAS**; UY
(220) 07/09/2023
(511) **43**
(740)



(210) **554343** (540)

(730) **FERRARI FERRARI NATHALIE
NENUSHKA Y ELIZECHE SORIA JUAN
SALVADOR SOCIEDAD DE HECHO;
UY**

(220) 07/09/2023

(511) **35**

(740)

(591) TONOS DE VERDE Y BLANCO



(210) **554354** (540)

(730) **Aero Club del Uruguay; UY**

(220) 07/09/2023

(511) **41**

(740)

(591) azul y gris, ambos en distintos tonos, blanco y negro.



(210) **554355** (540)

(730) **QUESERIA PIO LTDA.; UY**

(220) 07/09/2023

(511) **29**

(740)

LAS LUCIERNAGAS

(210) **554359** (540)
(730) **Josefina Ferron Sorrondeguy**; UY
(220) 07/09/2023
(511) **25 (S/D)**
(740)

(591) Negro y Blanco



(210) **554364** (540)
(730) **BEKEMAR S.A.**; UY
(220) 08/09/2023
(511) **35 y 43**
(740)

(591) Rojo, verde, azul, violeta, amarillo.



(210) **554377** (540)
(730) **MEGA LABS S.A.**; UY
(220) 08/09/2023
(511) **5**
(740)

GAMPALY

(210) **554379**
(730) **Alejandra Escobar**; UY
(220) 08/09/2023
(511) **41**
(740)

(540)



(210) **554381**
(730) **VIA SONO S.R.L.**; UY
(220) 08/09/2023
(511) **20 y 35**
(740)

(540)

worklife

(210) **554382**
(730) **VIA SONO S.R.L.**; UY
(220) 08/09/2023
(511) **35**
(740)

(540)

PILLOW BAR

(210) **554384** (540)
(730) **Vitabiotics Ltd; GB**
(220) 08/09/2023
(511) **5 (S/D)**
(740)

WELLTEEN

(210) **554385** (540)
(730) **HONGKONG DINGXIN INDUSTRY
AND TRADE LIMITED; HK**
(220) 08/09/2023
(511) **7 (S/D)**
(740)

Thorkitchen

(210) **554386** (540)
(730) **PHIBRO ANIMAL HEALTH
CORPORATION; US**
(220) 08/09/2023
(511) **1 (S/D)**
(740)

BETAPLUS

(210) **554387** (540)
(730) **Duck Global Licensing AG (Duck Global Licensing SA) (Duck Global Licensing Ltd.); CH**
(220) 08/09/2023
(511) **3 (S/D)**
(740)

AVENTURA TROPICAL

(210) **554388** (540)
(730) **TOTO TOYS SAS; UY**
(220) 08/09/2023
(511) **20 (S/D), 21 (S/D), 25, 28 y 35 (S/D)**(740)

(591) #e82b8b #f16c35 #6c6c93 #06a5e9 #3c4493
#fbf316 #b13c40



(210) **554389** (540)
(730) **BON VIVANT PUNTA SRL; UY**
(220) 08/09/2023
(511) **41 y 43**
(740)

(591) -



(210) **554391** (540)
(730) **PB5STAR, LLC**; US
(220) 08/09/2023
(511) **25 (S/D) y 28 (S/D)**
(740)

(591) 0

The logo consists of the letters 'PB5' in a bold, outlined, sans-serif font, followed by a five-pointed star symbol.

(210) **554392** (540)
(730) **PB5STAR, LLC**; US
(220) 08/09/2023
(511) **25 (S/D) y 28 (S/D)**
(740)

(591) 0

The logo consists of the letters 'PB5star' in a bold, sans-serif font, where the '5' is slightly larger and the 'star' is in a smaller font weight.

(210) **554393** (540)
(730) **MILETO S.A.**; UY
(220) 08/09/2023
(511) **11, 35 y 37**
(740)

(591) Celeste, azul , girs, blanco y negro.

The logo consists of the word 'MILETO' in a bold, sans-serif font, followed by a circular icon containing a stylized globe or sphere.

(210) **554394** (540)
(730) **NUTRIMAS GRANOS SRL; UY**
(220) 08/09/2023
(511) **31 (S/D)**
(740)

NutriMas granos

(210) **554395** (540)
(730) **María Alejandra Rodríguez Aquino y
Rodrigo Milton López Rodríguez; UY**
(220) 08/09/2023
(511) **36**
(740)

(591) azul, celeste, amarillo, blanco



(210) **554397** (540)
(730) **COMPAGNIE PLASTIC OMNIUM SE;**
FR
(220) 08/09/2023
(511) **9 (S/D), 11 (S/D), 35 (S/D), 38 (S/D) y 42
(S/D)**
(740)
(300) 4944440 10/03/2023 FR

OP'nSoft

(210) **554399** (540)
(730) **Haidnay Innovation Company Pty Ltd; AU**
(220) 11/09/2023
(511) **7 (S/D) y 37 (S/D)**
(740)

(591) Verde y blanco.



(210) **554400** (540)
(730) **GIURA ELDER, MARTÍN RODOLFO;**
UY
(220) 11/09/2023
(511) **41**
(740)

EL BIOHACKER

(210) **554402** (540)
(730) **RUBEN AZAR SCARONE; UY**
(220) 11/09/2023
(511) **35 y 39**
(740)

(591) GRIS Y CELESTE



(210) **554403** (540)
(730) **Zhejiang Morini Vehicle CO., Ltd.**; CN
(220) 11/09/2023
(511) **12 (S/D)**
(740)

(591) Blanco y negro



(210) **554404** (540)
(730) **ALBERTO MARTIN SCASSO**
VOLONTE; UY
(220) 11/09/2023
(511) **41**
(740)

PLAY RADIO

(210) **554405** (540)
(730) **ALBERTO MARTIN SCASSO**
VOLONTE; UY
(220) 11/09/2023
(511) **41**
(740)

SPORT RADIO

(210) **554406** (540)
(730) **Roberto Bernardo García Fuentes; AR**
(220) 11/09/2023
(511) **8 (S/D), 21 (S/D) y 35**
(740)

(591) negro; beige



(210) **554407** (540)
(730) **Alfonsina Dos santos; UY**
(220) 11/09/2023
(511) **44**
(740)



(210) **554412** (540)
(730) **QUINTANA MADRIÑAN ANA MARIA;**
UY
(220) 11/09/2023
(511) **43**
(740)



(210) **554413**
(730) **Geneurope Holding B.V.**; NL
(220) 11/09/2023
(511) **3 (S/D)**
(740)
(300) 4209612 24/03/2023 ES

(540)

FUCSIA SHAKIRA

(210) **554414**
(730) **L'OREAL**; FR
(220) 11/09/2023
(511) **3 (S/D)**
(740)

(540)

FRUCTIS PROBIÓTICOS FUERZA

(210) **554415**
(730) **MANTRA S.A.**; UY
(220) 11/09/2023
(511) **30**
(740)

(540)

ROGELITO

(210) **554418** (540)
(730) **Atlantica Gourmet S.R.L.**; UY
(220) 11/09/2023
(511) **33**
(740)

ASSEMBLAGE OCHO VIENTOS

(210) **554425** (540)
(730) **GENERA SERVIÇOS LABORATORIAIS**
LTDA.; BR
(220) 11/09/2023
(511) **42 (S/D) y 44 (S/**
D)(740)

(591) Rojo, negro



(210) **554429** (540)
(730) **Alcon Inc.**; CH
(220) 11/09/2023
(511) **10 (S/D)**(740)

EMPLACE

(210) **554430**
(730) **Alcon Inc.**; CH
(220) 11/09/2023
(511) **10 (S/D)**(740)

(540)

TRIFECTUS

(210) **554431**
(730) **JOHNSON & JOHNSON**; US
(220) 11/09/2023
(511) **5 (S/D)**
(740)

(540)

LAZJEEVO

(210) **554433**
(730) **HG INDUSTRIAL DE CALÇADOS E
BORRACHA LTDA.**; BR
(220) 11/09/2023
(511) **25 y 35**
(740)

(540)

(591) -



(210) **554437** (540)
(730) **GAMING LABORATORIES
INTERNATIONAL, LLC; US**
(220) 11/09/2023
(511) **9 (S/D), 28 (S/D), 41 (S/D) y 42 (S/
D)(740)**
(300) UK00003887076 09/03/2023 GB

GAMING LABS CERTIFIED

(210) **554438** (540)
(730) **Vistros INTL FZE; AE**
(220) 11/09/2023
(511) **34 (S/D)**
(740)

(591) 0



(210) **554439** (540)
(730) **SEARA ALIMENTOS LTDA.; BR**
(220) 11/09/2023
(511) **29 (S/D)**
(740)

DELÍCIA TOQUE DO CHEF

(210) **554440** (540)
(730) **SEARA ALIMENTOS LTDA.**; BR
(220) 11/09/2023
(511) **29 (S/D)**
(740)

DELÍCIA MANTY

(210) **554443** (540)
(730) **TECOLUX SA**; UY
(220) 11/09/2023
(511) **35 y 43**
(740)

(591) BLANCO - AZUL - CELESTE -
AMARILLO



(210) **554445** (540)
(730) **Victoria Aguilera**; UY
(220) 12/09/2023
(511) **43**
(740)

(591) negro amarillo blanco



(210) **554448** (540)
(730) **PERROTTA MADIAS, MAXIMILIANO**
MARTÍN; UY
(220) 12/09/2023
(511) **29 y 43**
(740)

BIG BANG

(210) **554451** (540)
(730) **Szabo S.A.; UY**
(220) 12/09/2023
(511) **5 y 35**
(740)

(591) Verde y gris



(210) **554452** (540)
(730) **Szabo S.A.; UY**
(220) 12/09/2023
(511) **5 y 35**
(740)

(591) Verde y gris



(210) **554453**
(730) **Szabo S.A.**; UY
(220) 12/09/2023
(511) **5 y 35**
(740)

(540)

MILLET

(210) **554454**
(730) **Szabo S.A.**; UY
(220) 12/09/2023
(511) **5 y 35**
(740)

(540)

GMILLET

(210) **554459**
(730) **DOÑA PASTA S.A.S.**; UY
(220) 12/09/2023
(511) **30 (S/D) y 35**
(740)

(540)

(591) verde, rojo, negro y blanco



(210) **554460** (540)
(730) **THE BANK OF NOVA SCOTIA; CA**
(220) 12/09/2023
(511) **9 (S/D), 35 (S/D), 36 (S/D), 38 (S/D), 42**
(S/D) y 45 (S/
D)(740)

(591) rojo



(210) **554462** (540)
(730) **Sol de Janeiro IP, Inc.; US**
(220) 12/09/2023
(511) **3 (S/D)**
(740)

SOL DE JANEIRO

(210) **554465** (540)
(730) **Grupo Bimbo, S.A.B. de C.V.; MX**
(220) 12/09/2023
(511) **30**
(740)

BIMBO DONETTES

(210) **554467** (540)
(730) **Monashees Partners LLC**; US
(220) 12/09/2023
(511) **36**
(740)
(300) 97852511 22/03/2023 US

MONASHEES

(210) **554477** (540)
(730) **Álvaro César de Castro Ferreira Araújo**
Alves; BR
(220) 12/09/2023
(511) **9 (S/D)**
(740)

LARA

(210) **554480** (540)
(730) **Álvaro César de Castro Ferreira Araújo**
Alves; BR
(220) 12/09/2023
(511) **36 (S/D)**
(740)

LARA

(210) **554481** (540)
(730) **CELLTRION, INC.**; KR
(220) 12/09/2023
(511) **5 (S/D)**
(740)
(300) 40-2023-0101963 09/06/2023 KR
(591) PANTONE Rubine Red C; PANTONE 306C



(210) **554482** (540)
(730) **Álvaro César de Castro Ferreira Araújo**
Alves; BR
(220) 12/09/2023
(511) **42 (S/D)**
(740)

LARA

(210) **554483** (540)
(730) **CELLTRION, INC.**; KR
(220) 12/09/2023
(511) **5 (S/D)**
(740)
(300) 40-2023-0083066 11/05/2023 KR
(591) PANTONE 356C; PANTONE 141C



(210) **554484** (540)
(730) **Álvaro César de Castro Ferreira Araújo**
Alves; BR
(220) 12/09/2023
(511) **9 (S/D)**
(740)

LARA

(210) **554485** (540)
(730) **Álvaro César de Castro Ferreira Araújo**
Alves; BR
(220) 12/09/2023
(511) **36 (S/D)**
(740)

LARA

(210) **554486** (540)
(730) **CELLTRION, INC.;** KR
(220) 12/09/2023
(511) **5 (S/D)**
(740)
(300) 40-2023-0096311 31/05/2023 KR
(591) PANTONE 284C; PANTONE 116C



(210) **554487** (540)
(730) **Álvaro César de Castro Ferreira Araújo**
Alves; BR
(220) 12/09/2023
(511) **42 (S/D)**
(740)

LARA

(210) **554488** (540)
(730) **Shenzhen Geekvape Technology Co., Ltd;**
CN
(220) 12/09/2023
(511) **34 (S/D)**
(740)

(591) 0



(210) **554489** (540)
(730) **Álvaro César de Castro Ferreira Araújo**
Alves; BR
(220) 12/09/2023
(511) **9 (S/D)**
(740)



(210) **554490**
(730) **Szabo S.A.**; UY
(220) 12/09/2023
(511) **5**
(740)

(540)

AGLIPTIN SZABO

(210) **554491**
(730) **Szabo S.A.**; UY
(220) 12/09/2023
(511) **5**
(740)

(540)

PROCETINA

(210) **554492**
(730) **Szabo S.A.**; UY
(220) 12/09/2023
(511) **5**
(740)

(540)

IXIPEN SZABO

(210) **554493**
(730) **Szabo S.A.**; UY
(220) 12/09/2023
(511) **5**
(740)

(540)

SEMATIDE

(210) **554494**
(730) **Szabo S.A.**; UY
(220) 12/09/2023
(511) **5**
(740)

(540)

VALQUIR SZABO

(210) **554495**
(730) **Szabo S.A.**; UY
(220) 12/09/2023
(511) **5**
(740)

(540)

VORTREO

(210) **554496**
(730) **Szabo S.A.**; UY
(220) 12/09/2023
(511) **5**
(740)

(540)

VORTREX SZABO

(210) **554497**
(730) **SVP AGRÍCOLA LTDA**; BR
(220) 12/09/2023
(511) **36 (S/D) y 44 (S/D)**
(740)

(540)

(591) Verde y amarillo



(210) **554498**
(730) **Álvaro César de Castro Ferreira Araújo**
Alves; BR
(220) 12/09/2023
(511) **36 (S/D)**
(740)

(540)



(210) **554499** (540)
(730) **Álvaro César de Castro Ferreira Araújo**
Alves; BR
(220) 12/09/2023
(511) **42 (S/D)**
(740)



(210) **554503** (540)
(730) **BALLESTER, HUGO EDUARDO; AR**
(220) 13/09/2023
(511) **33 (S/D)**
(740)

LA FARRUCA

(210) **554504** (540)
(730) **Drogueria Paysandu S.A; UY**
(220) 13/09/2023
(511) **3 (S/D)**
(740)

Ritual

(210) **554505** (540)
(730) **MAZALOSA S.A.**; AR
(220) 13/09/2023
(511) **3 (S/D), 5 (S/D), 9 (S/D), 18 (S/D), 26 (S/D),
35 (S/D) y 43 (S/D)**
(740)

PORTSAID

(210) **554507** (540)
(730) **daniel terminelli**; UY
(220) 13/09/2023
(511) **33**
(740)

7 y 3

(210) **554510** (540)
(730) **ROQUETTE FRERES**; FR
(220) 13/09/2023
(511) **1 (S/D), 5 (S/D) y 30 (S/D)**
(740)

NUTRIOSE

(210) **554511** (540)
(730) **Mariela Carulla**; UY
(220) 13/09/2023
(511) **28 y 35**
(740)

(591) Blanco y negro

Jomanz

(210) **554521** (540)
(730) **AZEVEDO LAVECCHIA, VERÓNICA**;
UY
(220) 13/09/2023
(511) **35 y 41**
(740)

(591) AZUL CLARO, BLANCO



(210) **554523** (540)
(730) **LINK PALERMO S.R.L.**; UY
(220) 13/09/2023
(511) **41**
(740)

OMNIA ONE

(210) **554524**
(730) **LINK PALERMO S.R.L.**; UY
(220) 13/09/2023
(511) **41**
(740)

(540)

OMNIA PUNTA CARRETAS

(210) **554531**
(730) **EUROFARMA URUGUAY S.A.**; UY
(220) 13/09/2023
(511) **5**
(740)

(540)

TALIS PLUS

(210) **554532**
(730) **RAFAEL PIPERNO BENCHOAM**; UY
(220) 13/09/2023
(511) **35**
(740)

(540)

(591) ROJO

Paloma
· H O M E ·

(210) **554536** (540)
(730) **NINGBO KEYROAD STATIONERY &
GIFT CO., LTD.;** CN
(220) 13/09/2023
(511) **16 (S/D)**
(740)

(591) 0

The logo for KEYROAD, featuring the word "KEYROAD" in a bold, sans-serif font. A curved line underlines the letters "O" and "A", extending from the bottom of the "O" to the top of the "A".

(210) **554537** (540)
(730) **SOPHIA HOLDINGS, S.A. DE C.V.;** MX
(220) 13/09/2023
(511) **5 (S/D)**
(740)

The logo for LAGRICEL, featuring the word "LAGRICEL" in a bold, sans-serif font.

(210) **554538** (540)
(730) **ALTUNIS - TRADING, GESTÃO E
SERVIÇOS, SOCIEDADE
UNIPESSOAL, LDA.;** PT
(220) 13/09/2023
(511) **33**
(740)

The logo for CIPRIANI DRINKS, featuring a stylized graphic of a drink with a straw and the text "CIPRIANI DRINKS" below it. The text "CIPRIANI DRINKS" is in a bold, sans-serif font, with "CIPRIANI" on the top line and "DRINKS" on the bottom line. Below "DRINKS" is the text "FUNDADA EM 1938" in a smaller font.

(210) **554539** (540)
(730) **ALTUNIS - TRADING, GESTÃO E
SERVIÇOS, SOCIEDADE
UNIPESSOAL, LDA.; PT**
(220) 13/09/2023
(511) **32**
(740)



(210) **554540** (540)
(730) **Johnson & Johnson; US**
(220) 14/09/2023
(511) **5 (S/D), 9 (S/D), 10 (S/D), 16 (S/D), 41
(S/D), 42 (S/D) y 44 (S/D)**
(740)
(300) 89500 08/05/2023 JM



(210) **554541** (540)
(730) **Johnson & Johnson; US**
(220) 14/09/2023
(511) **5 (S/D), 9 (S/D), 10 (S/D), 16 (S/D), 41
(S/D), 42 (S/D) y 44 (S/D)**
(740)
(300) 89501 08/05/2023 JM

Johnson&Johnson

(210) **554547** (540)
(730) **Smurfit Kappa Services Limited**; IE
(220) 14/09/2023
(511) **9 (S/D), 16 (S/D), 40 (S/D), 41 (S/D) y 42 (S/D)**
(740)

SMURFIT WESTROCK

(210) **554550** (540)
(730) **VFS Global Services PLC**; GB
(220) 14/09/2023
(511) **35 (S/D), 39 (S/D) y 42 (S/D)**
(740)

(591) No reivindica colores



(210) **554551** (540)
(730) **QSC, LLC**; US
(220) 14/09/2023
(511) **9 (S/D)**
(740)

QSC SYSNAV

(210) **554552**
(730) **Adriana Edit Gawianski**; AR
(220) 14/09/2023
(511) **17 (S/D) y 27 (S/D)**
(740)

(540)

(591) No reivindica colores



(210) **554553**
(730) **QSC, LLC**; US
(220) 14/09/2023
(511) **9 (S/D)**
(740)

(540)

(591) No reivindica colores.



(210) **554554**
(730) **Riot Games, Inc.**; US
(220) 14/09/2023
(511) **9 (S/D) y 41 (S/D)**
(740)

(540)

**BUNDLE TALE: A LEAGUE OF
LEGENDS STORY**

(210) **554555** (540)
(730) **RODRIGUEZ RODRIGUEZ RAQUEL;**
UY
(220) 14/09/2023
(511) **3 y 44**
(740)



(210) **554556** (540)
(730) **AGUSTIN DANIEL FUREY; AR**
(220) 14/09/2023
(511) **3**
(740)

UPALALA

(210) **554557** (540)
(730) **DONUT CITY SAS; UY**
(220) 14/09/2023
(511) **30 y 43**
(740)

(591) **BLANCO, NEGRO, AMARILLO,**
ANARANJADO Y AZUL TURQUESA



(210) **554558** (540)
(730) **Gustavo Daniel Fernández Icasuriaga; UY**
(220) 14/09/2023
(511) **41 (S/D)**
(740)

LA RUTA DEL VOLEY

(210) **554560** (540)
(730) **Atlantica Gourmet S.R.L.; UY**
(220) 14/09/2023
(511) **33**
(740)

OCHO VIENTOS



(210) **554561** (540)
(730) **Atlantica Gourmet S.R.L.; UY**
(220) 14/09/2023
(511) **33**
(740)

VANGUARDIA



(210) **554567** (540)
(730) **Shenzhen Yunji Intelligent Technology Co.,
Ltd.; CN**
(220) 14/09/2023
(511) **9 (S/D)**
(740)

OUKITEL

(210) **554573** (540)
(730) **Szolno Hnos. y Cia. S.A.; UY**
(220) 14/09/2023
(511) **6, 7, 8, 9, 11, 12, 18, 20, 21, 22, 24, 25, 28 y
35**
(740)

STARAccess

(210) **554575** (540)
(730) **Culzoni S.A.; AR**
(220) 14/09/2023
(511) **19 (S/D)**
(740)

(591) negro, y tonos de marrón

**PATIO**
by CULZONI

(210) **554576** (540)
(730) **EUROFARMA URUGUAY S.A.**; UY
(220) 14/09/2023
(511) **5**
(740)

LONGIVA

(210) **554577** (540)
(730) **EUROFARMA URUGUAY S.A.**; UY
(220) 14/09/2023
(511) **5**
(740)

VITAXY

(210) **554578** (540)
(730) **Guemiper Srl**; UY
(220) 14/09/2023
(511) **21 y 28**
(740)

(591) No reivindica colores.



(210) **554579** (540)
(730) **Culzoni S.A.**; AR
(220) 14/09/2023
(511) **19 (S/D)**
(740)

(591) tonos de azul



(210) **554580** (540)
(730) **alejandro lombardi**; UY
(220) 14/09/2023
(511) **33 (S/D)**
(740)

LOBO SUELTO

(210) **554582** (540)
(730) **CAPITAL REAL ESTATE SAS**; UY
(220) 14/09/2023
(511) **36 (S/D)**
(740)

(591) NEGRO, AMARILLO Y BLANCO



(210) **554583** (540)
(730) **G & R COSTMETICOS LTDA;** BR
(220) 14/09/2023
(511) **3 (S/D)**
(740)

The logo for SUNCOLORS features a stylized sun icon with rays above the word "SUNCOLORS" in a bold, sans-serif font.

(210) **554588** (540)
(730) **Mateo Vullien Hernández;** UY
(220) 14/09/2023
(511) **25 (S/D)**
(740)

BROV

(210) **554589** (540)
(730) **Zhejiang New Gonow Automobile**
Co.,Ltd.; CN
(220) 14/09/2023
(511) **12 (S/D)(740)**

(591) 0



(210) **554591** (540)
(730) **BALEINE CO SAS**; UY
(220) 14/09/2023
(511) **35 (S/D)**
(740)

(591) AZUL, BLANCO



(210) **554595** (540)
(730) **Gonzalo Martín VALDI FRAGA**; UY
(220) 14/09/2023
(511) **33**
(740)

(591) BLANCO - NEGRO - GRIS - PLATEADO



(210) **554596** (540)
(730) **Junhong YANG**; CN
(220) 15/09/2023
(511) **9 (S/D)**
(740)

TREQA

(210) **554599** (540)
(730) **Christian Daniel Galdeano Alvarado**; AR
(220) 15/09/2023
(511) **29, 30 y 43**
(740)

BIG BANG

(210) **554600** (540)
(730) **HERBE S.A.S.**; UY
(220) 15/09/2023
(511) **43**
(740)

(591) Dorado, negro y blanco



(210) **554601** (540)
(730) **Pablo Puente**; CU
(220) 15/09/2023
(511) **42 (S/D)**
(740)



(210) **554602** (540)
(730) **EMBOTELLADORA CENTRAL S.A.C.I.;**
PY
(220) 15/09/2023
(511) **30 (S/D)**
(740)

BLUE BUNNY

(210) **554603** (540)
(730) **Nolgan S.A.;** UY
(220) 15/09/2023
(511) **41**
(740)

CODIGO POKER

(210) **554605** (540)
(730) **MJA SAS;** UY
(220) 15/09/2023
(511) **43**
(740)

(591) No reivindica colores



JOSE IGNACIO

(210) **554607** (540)
(730) **Zhejiang Westul Trading Co., Ltd.**; CN
(220) 15/09/2023
(511) **7 (S/D)**
(740)

WESTUL

(210) **554609** (540)
(730) **LUXOTTICA GROUP S.P.A.**; IT
(220) 15/09/2023
(511) **9 (S/D)**
(740)

PLATINI

(210) **554610** (540)
(730) **FUJIAN WINHYE PET PRODUCTS
MANUFACTURE AND TRADE CO.,
LTD.**; CN
(220) 15/09/2023
(511) **18 (S/D)**
(740)



Truelove

(210) **554623** (540)
(730) **Harris Paints Corp.**; PR
(220) 15/09/2023
(511) **2 (S/D)**
(740)

HARRIS PAINTS

(210) **554624** (540)
(730) **Harris Paints Corp.**; PR
(220) 15/09/2023
(511) **2 (S/D)**
(740)



(210) **554625** (540)
(730) **JUGOS DEL URUGUAY S.A.**; UY
(220) 15/09/2023
(511) **32 (S/D)**
(740)

(591) AZUL, NEGRO, BLANCO



(210) **554628**
(730) **CLEVERAGE S.A.S.**; UY
(220) 15/09/2023
(511) **35**
(740)

(540)

CLEVERAGE

(210) **554629**
(730) **SANSHINE S.A.**; UY
(220) 15/09/2023
(511) **17**
(740)

(540)



(210) **554630**
(730) **SANSHINE S.A.**; UY
(220) 15/09/2023
(511) **12**
(740)

(540)



(210) **554632**
(730) **Alcon Inc.;** CH
(220) 15/09/2023
(511) **10 (S/D)**(740)

(540)

VELOCITAS

(210) **554633**
(730) **Wrangler Apparel Corp.;** US
(220) 15/09/2023
(511) **25 (S/D)**
(740)

(540)

CASEY JONES

(210) **554634**
(730) **NEW ZEALAND RUGBY UNION**
INCORPORATED; NZ
(220) 15/09/2023
(511) **41 (S/D)**
(740)

(540)

ALL BLACKS

(210) **554635** (540)
(730) **JAVIER FERNANDO RODRIGUEZ;**
FEDERICO MARINI ROSSI;
CHRISTIAN VIERA; CLEVER
NICOLAS VAZ VANOLI y SEBASTIAN
MARCELO PEREIRA; UY
(220) 15/09/2023
(511) **41 (S/D)**
(740)



(591) BLANCO Y NEGRO

(210) **554637** (540)
(730) **SANHE LEFIS ELECTRONICS CO.,**
LTD; CN
(220) 15/09/2023
(511) **10 (S/D)**
(740)



(591) 0

(210) **554638** (540)
(730) **RANDY SAPUTRA; ID**
(220) 15/09/2023
(511) **3 (S/D)**
(740)



(591) 0

(210) **554639** (540)
(730) **RANDY SAPUTRA**; ID
(220) 15/09/2023
(511) **5 (S/D)**
(740)

(591) 0



(210) **554640** (540)
(730) **OILCO S.A.**; AR
(220) 15/09/2023
(511) **29 y 30**
(740)

(591) Verde, rojo, blanco



(210) **554641** (540)
(730) **OILCO S.A.**; AR
(220) 15/09/2023
(511) **29**
(740)

(591) Verde, blanco



(210) **554642** (540)
(730) **REGIONAL SUR S.A.**; UY
(220) 15/09/2023
(511) **29 (S/D) y 30 (S/D)**
(740)

(591) BLANCO, NEGRO, ROJO en distintos tonos.



(210) **554643** (540)
(730) **PESCAFF S.R.L.**; UY
(220) 15/09/2023
(511) **18, 25 y 35**
(740)

(591) AZUL, BLANCO, DORADO



(210) **554644** (540)
(730) **BAJOCERO S.R.L.**; UY
(220) 15/09/2023
(511) **29, 30 y 31**
(740)

(591) Verde, blanco y azul



(210) **554645** (540)
(730) **TEX COURIER S.A.**; BR
(220) 15/09/2023
(511) **39 (S/D)**
(740)

TEX TOTAL EXPRESS

(210) **554646** (540)
(730) **TEX COURIER S.A.**; BR
(220) 15/09/2023
(511) **39 (S/D)**
(740)

(591) AZUL, ROJO, BLANCO



(210) **554647** (540)
(730) **Acronex SRL**; AR
(220) 15/09/2023
(511) **19 y 35**
(740)

(591) #1b75b6 #5fe288 #55ffc4 #35a5FF #505050
#D2D2D2



(210) **554648** (540)
(730) **CABLEX S.A.**; UY
(220) 15/09/2023
(511) **37 (S/D)**
(740)

(591) en RGB: R-244, G-124, B-0 en CMYK: C-1,
M-65, Y-100, K-0



(210) **554649** (540)
(730) **Gustavo Lasserra y Marisa Fernandez**; UY
(220) 18/09/2023
(511) **35**
(740)



(210) **554650** (540)
(730) **ARTURO SALICE S.P.A.**; IT
(220) 18/09/2023
(511) **6 (S/D) y 20**
(740)

SALICE

(210) **554651** (540)
(730) **Dayana Yanina García Barreiro y Pablo Baldi Martínez**; UY
(220) 18/09/2023
(511) **9, 36 y 45**
(740)

Yo Cumplo

(210) **554652** (540)
(730) **Rapenor S.A.**; UY
(220) 18/09/2023
(511) **30**
(740)

CAMPEON

(210) **554653** (540)
(730) **R&G Business LLC**; US
(220) 18/09/2023
(511) **3 (S/D) y 35 (S/D)**(740)

(591) rosa



(210) **554659** (540)
(730) **LUMINOVA PHARMA CORPORATION**
GmbH; CH
(220) 18/09/2023
(511) **5 (S/D)**(740)

VALPROSAM

(210) **554674** (540)
(730) **TEX COURIER S.A.; BR**
(220) 18/09/2023
(511) **35 (S/D)**
(740)

(591) rojo, azul, blanco



(210) **554675** (540)
(730) **DIEGAL S.A.; UY**
(220) 18/09/2023
(511) **35, 38, 39 y 43**
(740)



(210) **554677** (540)
(730) **MISURA S.R.L.;** UY
(220) 18/09/2023
(511) **35**
(740)

(591) No reivindica colores



(210) **554678** (540)
(730) **MISURA S.R.L.;** UY
(220) 18/09/2023
(511) **20 y 42**
(740)

MISURA

(210) **554680** (540)
(730) **Maria Harguindeguy;** UY
(220) 18/09/2023
(511) **41**
(740)

(591) Azul, Turquesa, Rojo



(210) **554683** (540)
(730) **REFISA INDÚSTRIA E COMÉRCIO**
LTDA; BR
(220) 18/09/2023
(511) **30 (S/D)**(740)

(591) AZUL, VERDE



(210) **554684** (540)
(730) **MARTINEZ ROBAINA, DIEGO**
ANDRES; UY
(220) 18/09/2023
(511) **35**
(740)

(591) azul, verde y gris



(210) **554689** (540)
(730) **ANTUNEZ VEGA Propiedades S.A.; AR**
(220) 18/09/2023
(511) **36**
(740)

(591) amarillo, blanco, negro



(210) **554690** (540)
(730) **OFFICIAL PILLOWTEX LLC; US**
(220) 18/09/2023
(511) **20 (S/D)**
(740)

CANNON

(210) **554692** (540)
(730) **ROADGET BUSINESS PTE. LTD.; SG**
(220) 18/09/2023
(511) **25 (S/D) y 35 (S/D)**
(740)

(591) Blanco y negro

SHEIN

(210) **554697** (540)
(730) **THE BANK OF NOVA SCOTIA; CA**
(220) 19/09/2023
(511) **9 (S/D), 36 (S/D) y 42 (S/D)**
(740)

SCOTIA AUTHENTICATOR

(210) **554699** (540)
(730) **INDUSTRIAL DELIGHTS S.A. (INDEL S.A.); PY**
(220) 19/09/2023
(511) **30 (S/D)**
(740)

Cranchis Mazzei

(210) **554700** (540)
(730) **LUIS NUMAN JAUNARENA CABRERA y ANA LIA SARAVIA SCLAVI; UY**
(220) 19/09/2023
(511) **35**
(740)

(591) Tonos de azul y amarillo



(210) **554706** (540)
(730) **Zhejiang Fashion Cosmetics Co., Ltd.; CN**
(220) 19/09/2023
(511) **3 (S/D)**
(740)

(591) Blanco y negro

E&A

(210) **554717** (540)
(730) **BALIARDA S.A.**; AR
(220) 19/09/2023
(511) **5**
(740)

AXIN

(210) **554720** (540)
(730) **BALIARDA S.A.**; AR
(220) 19/09/2023
(511) **5**
(740)

NIBOTIL

(210) **554721** (540)
(730) **BALIARDA S.A.**; AR
(220) 19/09/2023
(511) **5**
(740)

CILBOC

(210) **554723**
(730) **BALIARDA S.A.**; AR
(220) 19/09/2023
(511) **5 (S/D)**
(740)

(540)

RICEG

(210) **554724**
(730) **BALIARDA S.A.**; AR
(220) 19/09/2023
(511) **5**
(740)

(540)

RUXTIN

(210) **554725**
(730) **Tabare Pagliano**; UY
(220) 19/09/2023
(511) **41 (S/D)**
(740)

(540)

MUSEO DEL SOL

(210) **554726** (540)
(730) **BALIARDA S.A.**; AR
(220) 19/09/2023
(511) **5**
(740)

FATOSIN

(210) **554727** (540)
(730) **BALIARDA S.A.**; AR
(220) 19/09/2023
(511) **5**
(740)

MARAFUX

(210) **554728** (540)
(730) **BAYER CONSUMER CARE AG**; CH
(220) 19/09/2023
(511) **5 (S/D)**
(740)



(210) **554729** (540)
(730) **Shenzhen Ske Technology Co., Ltd.**; CN
(220) 19/09/2023
(511) **34 (S/D)**
(740)

CRYSTAL

(210) **554731** (540)
(730) **GENERAL MOTORS LLC**; US
(220) 19/09/2023
(511) **9 (S/D)**
(740)

ULTIUM

(210) **554732** (540)
(730) **Shenzhen Ske Technology Co., Ltd.**; CN
(220) 19/09/2023
(511) **34 (S/D)**
(740)

SKE

(210) **554734** (540)
(730) **CPS Technology Holdings LLC; US**
(220) 19/09/2023
(511) **9 (S/D)**
(740)

STRADA

(210) **554735** (540)
(730) **CPS Technology Holdings LLC; US**
(220) 19/09/2023
(511) **9 D) y 37 (S/D)**
(740)

LTH

(210) **554736** (540)
(730) **CPS Technology Holdings LLC; US**
(220) 19/09/2023
(511) **9 (S/D) y 37 (S/D)**
(740)



(210) **554737** (540)
(730) **CPS Technology Holdings LLC; US**
(220) 19/09/2023
(511) **9 (S/D)**
(740)

LTH HI-TEC

(210) **554739** (540)
(730) **CPS Technology Holdings LLC; US**
(220) 19/09/2023
(511) **9 (S/D)**
(740)

LTH MOTO-BATERIA

(210) **554742** (540)
(730) **Shenzhen Ske Technology Co., Ltd.; CN**
(220) 19/09/2023
(511) **34 (S/D)**
(740)

The logo for Sikary, featuring a stylized 'S' in a square followed by the word 'ikary' in a lowercase, sans-serif font.

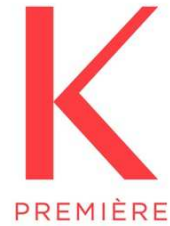
(210) **554743**
(730) **BELIV LLC**; PR
(220) 19/09/2023
(511) **32 (S/D)**
(740)

(540)



(210) **554744**
(730) **L'OREAL**; FR
(220) 19/09/2023
(511) **3 (S/D)**
(740)

(540)



(210) **554745**
(730) **Amal Mahmoud & Raed Khaleel Co.**; JO
(220) 19/09/2023
(511) **3 (S/D)**
(740)

(540)

(591) 0

LOYAL لويال

(210) **554746**
(730) **BEAUTY PIONEERS S.R.L.**; IT
(220) 19/09/2023
(511) **3 (S/D)**
(740)

(540)

NVNT

(210) **554747**
(730) **Automobiles CITROËN**; FR
(220) 19/09/2023
(511) **12 (S/D)**
(740)

(540)



(210) **554748**
(730) **AUDEMARS PIGUET HOLDING S.A.**;
CH
(220) 19/09/2023
(511) **14 (S/D)**
(740)

(540)

AUDEMARS PIGUET

(210) **554749** (540)
(730) **Fratelli Branca Distillerie S.p.A.**; IT
(220) 19/09/2023
(511) **33 (S/D)**
(740)

SERNOVA

(210) **554750** (540)
(730) **International Business Machines Corporation**; US
(220) 19/09/2023
(511) **9 (S/D), 35 (S/D) y 42 (S/D)**(740)
(300) 89039 22/03/2023 JM

WATSONX

(210) **554752** (540)
(730) **Lizette Margulis**; UY
(220) 19/09/2023
(511) **35 y 44**
(740)

(591) Rosado, blanco y burdeos



(210) **554753** (540)
(730) **TATIANA IRIS MATTOS BRIENZA; UY**
(220) 19/09/2023
(511) **25 (S/D)**
(740)

KOI

(210) **554754** (540)
(730) **BERTI CANESSA, GUSTAVO RAMÓN;**
UY
(220) 20/09/2023
(511) **29**
(740)

(591) Negro, blanco, amarillo



(210) **554756** (540)
(730) **SAMPA OTOMOTIV SANAYI VE**
TICARET ANONIM SIRKETI; TR
(220) 20/09/2023
(511) **12**
(740)



(210) **554757** (540)
(730) **Juan Torres**; UY
(220) 20/09/2023
(511) **35 (S/D) y 43 (S/D)**
(740)



(210) **554759** (540)
(730) **Fontaine Limited**; GB
(220) 20/09/2023
(511) **3 (S/D)**
(740)
(300) UK00003891955 22/03/2023 GB

QUEEN OF SILK

(210) **554760** (540)
(730) **COMISION ADMINISTRADORA PUNTA
CARRETAS SHOPPING CENTER S.A.;**
UY
(220) 20/09/2023
(511) **35 y 41**
(740)

Open House

(210) **554762** (540)
(730) **HENGYANG RITAR POWER CO., LTD.;**
CN
(220) 20/09/2023
(511) **9 (S/D)**
(740)



(210) **554763** (540)
(730) **Toma Arbiza, María Valentina;** UY
(220) 20/09/2023
(511) **18 y 20**
(740)

DREAMS ON TIME

(210) **554764** (540)
(730) **GrandVision Group Holding B.V.;** NL
(220) 20/09/2023
(511) **9 (S/D)**
(740)
(300) 1480892 21/03/2023 BX



(210) **554765** (540)
(730) **CAAMEPA**; UY
(220) 20/09/2023
(511) **9, 35, 36, 39, 42 y 44**
(740)

(591) Azul, verde y blanco



(210) **554767** (540)
(730) **GAMING LABORATORIES INTERNATIONAL, LLC**; US
(220) 20/09/2023
(511) **9 (S/D), 28 (S/D), 41 (S/D) y 42 (S/D)**(740)
(300) UK00003890959 20/03/2023 GB
(591) 0



(210) **554768** (540)
(730) **BODEGAS Y VIÑEDOS NICOLAS CATENA S.A.**; AR
(220) 20/09/2023
(511) **33 (S/D)**
(740)

VINCENZO CATENA

(210) **554769**
(730) **BOLDT S.A.**; AR
(220) 20/09/2023
(511) **9, 35, 38, 41 y 42**
(740)

(540)

BPLAY ARENA

(210) **554770**
(730) **BODEGAS ESMERALDA S.A.**; AR
(220) 20/09/2023
(511) **33 (S/D)**
(740)

(540)

TILIA

(210) **554771**
(730) **BODEGAS ESMERALDA S.A.**; AR
(220) 20/09/2023
(511) **33 (S/D)**
(740)

(540)

ALAMOS

(210) **554772** (540)
(730) **ALAN GONTMAHER; AR**
(220) 20/09/2023
(511) **5 (S/D), 10 (S/D), 22 (S/D), 23 (S/D), 24 (S/D) y 25 (S/D)**
(740)

(591) NEGRO, BLANCO, AZUL, VERDE, ROJO,
VIOLETA, NARANJA

ATM-PROTECT

(210) **554773** (540)
(730) **Mariela Carulla; UY**
(220) 20/09/2023
(511) **35**
(740)



(210) **554774** (540)
(730) **TELBROY SA; UY**
(220) 20/09/2023
(511) **38**
(740)

METROVISION

(210) **554776**
(730) **TELBROY SA**; UY
(220) 20/09/2023
(511) **38**
(740)

(540)

METRONET

(210) **554778**
(730) **DECATHLON SE**; FR
(220) 20/09/2023
(511) **3 (S/D), 9 (S/D), 11 (S/D), 12 (S/D), 14 (S/D), 18 (S/D), 20 (S/D), 21 (S/D), 22 (S/D), 24 (S/D), 25 (S/D), 28 (S/D), 29 (S/D), 30 (S/D), 32 (S/D) y 35 (S/D)**
(740)
(300) 4949564 28/03/2023 FR

(540)



(210) **554779**
(730) **Alcon Inc.**; CH
(220) 20/09/2023
(511) **5 (S/D)**
(740)

(540)



(210) **554780**
(730) **Alcon Inc.**; CH
(220) 20/09/2023
(511) **5 (S/D)**
(740)

(540)



(210) **554781**
(730) **INC S.A.**; AR
(220) 20/09/2023
(511) **35**
(740)

(540)

(591) ROJO, VERDE, AMARILLO



(210) **554784**
(730) **Federico descalti**; UY
(220) 21/09/2023
(511) **9, 35, 36, 37, 42 y 45**
(740)

(540)

PR00PS

(210) **554797**
(730) **RiGO Trading S.A.**; LU
(220) 21/09/2023
(511) **30 (S/D)**
(740)

(540)



(210) **554801**
(730) **Galloway International Holding Limited**;
VG
(220) 21/09/2023
(511) **42 (S/D)**
(740)

(540)

(591) GRIS Y PURPURA



(210) **554806**
(730) **Maria Laura Rodriguez Cora**; UY
(220) 21/09/2023
(511) **29 y 30**
(740)

(540)

**ADUKI COCINANDO CON
PLANTAS**

(210) **554809** (540)
(730) **AVON PRODUCTS, INC.;** US
(220) 21/09/2023
(511) **3 (S/D), 4 (S/D), 9 (S/D), 21 (S/D), 35 (S/D),
41 (S/D) y 42 (S/D)**
D)(740)

EMBRACE YOUR POWER

(210) **554811** (540)
(730) **AVON PRODUCTS, INC.;** US
(220) 21/09/2023
(511) **3 (S/D), 4 (S/D), 9 (S/D), 21 (S/D), 35 (S/D),
41 (S/D) y 42 (S/D)**
(740)

(591) ROSADO, BLANCO



(210) **554812** (540)
(730) **KAESER KOMPRESSOREN SE;** DE
(220) 22/09/2023
(511) **11 (S/D)**
(740)
(300) 30 2023 104 574 24/03/2023 DE

CALOSEC

(210) **554813** (540)
(730) **NAVARRO VIANA, MARIA ISABEL; UY**
(220) 22/09/2023
(511) **25 y 42**
(740)



(210) **554816** (540)
(730) **Mariela Carulla; UY**
(220) 22/09/2023
(511) **35**
(740)



(210) **554818** (540)
(730) **Virginia Chivetti; AR**
(220) 22/09/2023
(511) **29, 32 y 43**
(740)

(591) **BLANCO, NEGRO, VIOLETA**



(210) **554820** (540)
(730) **MINBROL S.A.**; UY
(220) 22/09/2023
(511) **29**
(740)

(591) Rojo, amarillo, blanco



(210) **554821** (540)
(730) **FRIEDLER KANOVICH, RASIA**; UY
(220) 22/09/2023
(511) **41**
(740)

(591) No se reivindican



(210) **554827** (540)
(730) **DESEM DEL URUGUAY**; UY
(220) 22/09/2023
(511) **41**
(740)

(591) Azul y turquesa



(210) **554828** (540)
(730) **DESEM DEL URUGUAY**; UY
(220) 22/09/2023
(511) **41**
(740)

(591) Azul, turquesa, amarillo y blanco



(210) **554829** (540)
(730) **THE COCA-COLA COMPANY**; US
(220) 22/09/2023
(511) **32**
(740)

(591) celeste, azul



(210) **554830** (540)
(730) **THE COCA-COLA COMPANY**; US
(220) 22/09/2023
(511) **32**
(740)



(210) **554832** (540)
(730) **POLAKOF Y CIA S.A.**; UY
(220) 22/09/2023
(511) **30**
(740)

(591) Rojo

El Dorado

(210) **554834** (540)
(730) **VIDUNI S.A.**; UY
(220) 22/09/2023
(511) **35 y 41**
(740)

(591) Rojo

the juju agency

(210) **554840** (540)
(730) **FJ CAPITAL PARTNERS LIMITED**; MT
(220) 22/09/2023
(511) **36 (S/D)**
(740)

(591) 0

THE LAND GROUP

(210) **554841** (540)
(730) **BOLDT S.A.**; AR
(220) 22/09/2023
(511) **43**
(740)

BPLAY ARENA

(210) **554846** (540)
(730) **Zoetis Services LLC**; US
(220) 22/09/2023
(511) **5 (S/D)**
(740)

PORTELA

(210) **554848** (540)
(730) **SEMBRADO S.R.L.**; UY
(220) 22/09/2023
(511) **29, 30, 31, 32, 35 y 43**
(740)

(591) rojo, negro y blanco



(210) **554850** (540)
(730) **Reebok International Limited; GB**
(220) 22/09/2023
(511) **9 (S/D)**
(740)



(210) **554853** (540)
(730) **San Miguel Industrias PET S.A.; PE**
(220) 22/09/2023
(511) **1, 16, 17, 20, 21 y 40**
(740)

(591) Verde



(210) **554854** (540)
(730) **TUBERIAS Y PERFILES PLASTICOS**
S.A.U.; ES
(220) 22/09/2023
(511) **35**
(740)

(591) ROJO, AZUL, NEGRO Y BLANCO



(210) **554856** (540)
(730) **PARFUMS CHRISTIAN DIOR,;** FR
(220) 22/09/2023
(511) **3 (S/D)**
(740)

BABY DIOR

(210) **554861** (540)
(730) **Paycom Payroll, LLC;** US
(220) 25/09/2023
(511) **42 (S/D)**
(740)

BETI

(210) **554862** (540)
(730) **Paycom Payroll, LLC;** US
(220) 25/09/2023
(511) **42 (S/D)**
(740)

GONE

(210) **554863** (540)
(730) **LODACOR S.A.**; UY
(220) 25/09/2023
(511) **18 y 25**
(740)

(591) Azul y blanco



(210) **554864** (540)
(730) **ILLINGWORTH CARVAJAL, PATRICIA
DEL PILAR**; EC
(220) 25/09/2023
(511) **30**
(740)

(591) BLANCO, BEIGE, MARRÓN



(210) **554866** (540)
(730) **Cindy Natali Cabana Rossi**; UY
(220) 25/09/2023
(511) **30**
(740)

(591) Amarillo, Violeta y Fuxia



(210) **554867**

(540)

(730) **Emily Mc Cubbin**; UY

(220) 25/09/2023

(511) **3**

(740)

SOKO INC.

(210) **554868**

(540)

(730) **COBOE S.A.**; UY

(220) 25/09/2023

(511) **3**

(740)

beälm
SCANDINAVIAN

(210) **554878**

(540)

(730) **LABORATORIOS PROVET S.A.S**; CO

(220) 25/09/2023

(511) **5 (S/D)**

(740)

CANILANER

(210) **554883** (540)
(730) **MAZARA, DAVID ANTONIO; AR**
(220) 25/09/2023
(511) **29**
(740)

AGUARIBAY

(210) **554884** (540)
(730) **GIULLIANNA NICOLE DI CIANNA
OVIEDO; UY**
(220) 25/09/2023
(511) **5 y 30**
(740)

ABUELITA

(210) **554886** (540)
(730) **TBN LOGÍSTICA Y OPERACIONES
PORTUARIAS S.A.S.; UY**
(220) 25/09/2023
(511) **35 y 39 (S/D)**
(740)

TBN LOGISTICA Y OPERACIONES PORTUARIAS

(210) **554887** (540)
(730) **ROHR CAPITAL S.A.**; UY
(220) 25/09/2023
(511) **39**
(740)

ROHR CAPITAL

(210) **554888** (540)
(730) **GIULLIANNA NICOLE DI CIANNA**
OVIEDO; UY
(220) 25/09/2023
(511) **30**
(740)



(210) **554889** (540)
(730) **ROHR CAPITAL S.A.**; UY
(220) 25/09/2023
(511) **39**
(740)

ROHR CAPITAL LOGISTICS GROUP

SOLICITUDES DE FRASES PUBLICITARIAS

(210) **554390**
(730) **TRACTORAL S.A.**; UY
(220) 08/09/2023
(511) **38**
(740)

(540)

(591) -



(210) **554766**
(730) **CAAMEPA**; UY
(220) 20/09/2023
(511) **9, 35, 36, 39, 42 y 44**
(740)

(540)

**ESTAMOS CERCA, ESTAMOS
SIEMPRE**

SOLICITUDES DE PATENTES DE INVENCION

(19) Dirección Nacional de la Propiedad Industrial – URUGUAY

(12) Invención

(11) UY a/039739

- (51) Clasificación Internacional:** A 61B 17/00(2006.01), A 61F 5/00(2006.01), A 61F 2/00(2006.01)
- (22) Fecha de presentación:** 27/04/2022
- (30) Datos de prioridad:**
- (71) Solicitante:** LUKSENBURG WIERNIK, ARIEL [UY]
- (72) Inventor:** LUKSENBURG WIERNIK, ARIEL [UY]
- (74)** 218974190018) (189)
- (54) Título:** TÉCNICA DE SUSTENTACIÓN Y EMPLAZAMIENTO DE HILOS REABSORBIBLES EN EL ESPACIO SUB URETRAL
- (57) Resumen:** Una técnica para el tratamiento de la incontinencia urinaria de esfuerzo en la mujer, caracterizada por el emplazamiento de una red de hilos reabsorbibles en los espacios sub uretral y uretro vaginal, e instrumentos para su ejecución.

(19) Dirección Nacional de la Propiedad Industrial – URUGUAY**(12) Invención****(11) UY a/039953**

- (51) **Clasificación Internacional:** A 01N 35/00(2006.01), A 01N 37/00(2006.01), A 01N 47/40(2006.01), A 01N 63/20(20200101), A 01P 21/00(2006.01), C 12N 1/00(2006.01), C 12N 1/20(2006.01)
- (22) **Fecha de presentación:** 20/09/2022
- (30) **Datos de prioridad:** PCT/BR2022/050080 09/03/2022 BR
- (71) **Solicitante:** TOTAL BIOTECNOLOGIA INDÚSTRIA E COMÉRCIO S/A [BR]
- (72) **Inventor:** JOSIANE FUKAMI [BR]; Jonas Hipolito de Assis Filho [BR]; Juliana Marcolina Gomes [BR]; Douglas Fabiano Gomes Brazilian [BR]
- (74)
- (54) **Título:** COMPOSICIÓN DE BIOINSECTICIDA AGRÍCOLA MULTIDIANA COMPUESTA POR BACTERIAS Y SUS METABÓLITOS APLICADA
- (57) **Resumen:** Composición agrícola que contiene una o más especies de Pseudomonas y Chromobacterium y proceso de inducción industrial de sus metabolitos para incrementar eficiencia bioinsecticida multidiana de microorganismos de aplicación a plantas de interés agrícola. La composición agrícola con una o más especies de Pseudomonas o la mezcla con Chromobacterium con diferentes dosis de aplicación puede actuar sobre diversas plagas y cultivos de interés agronómico, como maíz, soja y porotos. La composición agrícola promueve alternativamente el crecimiento de plantas al inducir metabolitos como la fitohormona AIA y la producción de sideróforos, capaces de mejorar la salud de las plantas.

(19) Dirección Nacional de la Propiedad Industrial – URUGUAY**(12) Invención****(11) UY a/040155**

- (51) Clasificación Internacional:** A 01H 5/12(2018.01), A 24B 3/14(2006.01), A 24D 1/02(2006.01), A 24D 1/18(2006.01)
- (22) Fecha de presentación:** 22/02/2023
- (30) Datos de prioridad:** a/2022/002290 23/02/2022 MX
- (71) Solicitante:** GONZALEZ RUBIO CARAVEO, Miguel [MX]
- (72) Inventor:** GONZALEZ RUBIO COLORADO, Juan Manuel [MX]
- (74)**
- (54) Título:** ENVOLTURA PARA FUMAR A BASE DE LA HOJA DEL ÁRBOL RAMÓN (BROSIMUMALICASTRUM) Y SU MÉTODO DE FABRICACIÓN
- (57) Resumen:** Se describe una envoltura para fumar a base de la hoja del árbol Ramón (Brosimum Alicastrum). Un método de fabricación de una envoltura para fumar a base de la hoja del árbol Ramón que comprende: a) seleccionar las hojas del árbol Ramón; b) cortar las hojas; c) lavar y desinfectar las hojas previamente cortadas; d) enrollar las hojas; e) meter al horno las hojas enrolladas; f) sacar del horno las hojas enrolladas y; g) obtener una envoltura para fumar en forma cilíndrica. Un cigarro que comprende una envoltura para fumar a base de la hoja del árbol Ramón.

(19) Dirección Nacional de la Propiedad Industrial – URUGUAY**(12) Invención****(11) UY a/040159**

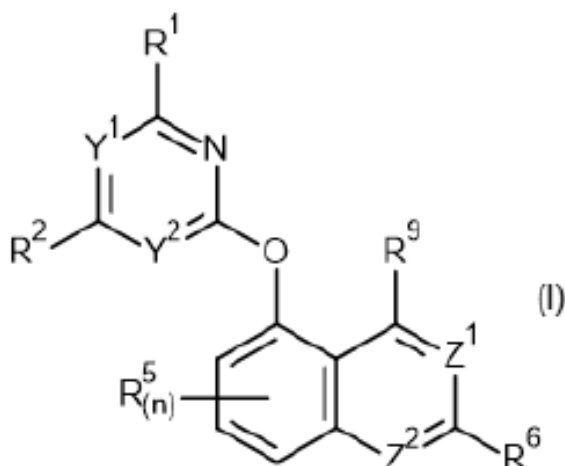
- (51) **Clasificación Internacional:** C 07K 16/30(2006.01), C 07K 16/46(2006.01), A 61P 35/00(2006.01)// A 61P 35/00
- (22) **Fecha de presentación:** 23/02/2023
- (30) **Datos de prioridad:** 63/313,233 23/02/2022 US
- (71) **Solicitante:** XENCOR, INC. [US] y JANSSEN BIOTECH, INC. [US]
- (72) **Inventor:** Theresa MCDEVITT [US]; Fei SHEN [CN]; John DESJARLAIS [US]; Gregory MOORE [US]; Michael HEDVAT [US]; Fouad MOUSSA [US]; Veronica GUSTI ZENG [US]; Matthew Adam DRAGOVICH [US]; Joseph ERHARDT [US]; Adam ZWOLAK [US]; Pankaj SETH [US]; Juan DIAZ [US]
- (74)
- (54) **Título:** ANTICUERPOS ANTI-CD28 X ANTI-PSMA
- (57) **Resumen:** Se dan a conocer novedosos anticuerpos anti-CD28 x anti-PSMA y métodos para utilizar dichos anticuerpos para el tratamiento de cánceres asociados con PSMA. Los anticuerpos anti-CD28 x anti-PSMA de la presente invención son capaces de unirse en forma agonística a moléculas coestimuladoras de CD28 en las células T y a PSMA en células tumorales. de ese modo, dichos anticuerpos potencian selectivamente la actividad antitumoral en los sitios tumorales mientras que minimizan la toxicidad periférica. Los anticuerpos que se dan a conocer en la presente memoria son particularmente útiles en combinación con otras terapias anticancerígenas (por ejemplo, anticuerpos anti-CD3 x anti-PSMA).

(19) Dirección Nacional de la Propiedad Industrial – URUGUAY

(12) Invención

(11) UY a/040167

- (51) **Clasificación Internacional:** A 01N 43/54(2006.01), C 07D 403/12(2006.01), C 07D 401/12(2006.01)
- (22) **Fecha de presentación:** 28/02/2023
- (30) **Datos de prioridad:** 202211010935 01/03/2022 IN
- (71) **Solicitante:** SYNGENTA CROP PROTECTION AG [CH]
- (72) **Inventor:** PHADTE, Mangala [IN]; CHAKAVE, Sunil [IN]; ACHARYA, Vanitha [IN]
- (74)
- (54) **Título:** COMPUESTOS HERBICIDAS DE HETEROARILOXIQUINAZOLINA Y HETEROARILOXIQUINOLINA



- (57) **Resumen:** La presente invención se refiere a compuestos de Fórmula (I), o una sal agrónomicamente aceptable de dichos compuestos donde Y1, Y2, Z1, Z2, R1, R2, R5, R6, R9 y n son tal como se definen en el presente documento. La invención se refiere además a composiciones herbicidas que comprenden un compuesto de Fórmula (I) y al uso de los compuestos de Fórmula (I) para controlar malezas, en particular en cultivos de plantas útiles.

(19) Dirección Nacional de la Propiedad Industrial – URUGUAY**(12) Invención****(11) UY a/040171**

- (51) **Clasificación Internacional:** A 01H 5/00(2018.01), A 01H 1/00(2006.01), C 12N 15/90(2006.01), C 12N 5/10(2006.01), C 12N 15/11(2006.01)
- (22) **Fecha de presentación:** 01/03/2023
- (30) **Datos de prioridad:** 63/315,646 02/03/2022 US
- (71) **Solicitante:** Pairwise Plants Services, Inc. [US]
- (72) **Inventor:** BATE, Nicholas [CA]; O'CONNOR, devin [US]; GEORGE MATHEW, Lolita [US]
- (74)
- (54) **Título:** MODIFICACIÓN DE GENES DEL RECEPTOR DE BRASINOESTEROIDES PARA MEJORAR RASGOS DE RENDIMIENTO
- (57) **Resumen:** Esta invención se refiere a composiciones y métodos para modificar genes de Brasinoesteroide Insensible-1 (BRI1) en plantas, opcionalmente, para mejorar rasgos de rendimiento. La invención además se refiere a plantas que tienen mayores rasgos de rendimiento mejorados producidas usando los métodos y las composiciones de la invención.

(19) Dirección Nacional de la Propiedad Industrial – URUGUAY**(12) Invención****(11) UY a/040173**

(51) Clasificación Internacional: C 07D 207/08(2006.01), C 07D 207/04(2006.01), A 61K 31/40(2006.01), A 61K 9/20(2006.01), A 61P 25/24(2006.01)// A 61P 25/24

(22) Fecha de presentación: 06/03/2023

(30) Datos de prioridad: 63/317471 07/03/2022 US

(71) Solicitante: Janssen Pharmaceuticals, Inc. [US]

(72) Inventor: Mark Schmidt [US]; Katarina Jokicevic [CS]; Adam Savitz [US]; Rama Melkote [US]; Wayne C. Drevets [US]; Srihari Gopal [US]; Darrell Pemberton [UK]; Chakradhar Lagishetty [IN]; Iva Kezic [CZ]; Nicolaas Martha Felix Goyvaerts [BE]; Mahesh N. Samtani [US]; Tom Huybrechts [BE]; Geert Van der Avoort [BE]; Matthieu Ravelingien [BE]; Laura Martinez Marcos [ES]; Tatiana Marcozzi [IT]; Vanina Popova [BE]

(74)

(54) Título: COMPOSICIONES QUE COMPRENDEN ATICAPRANT

(57) Resumen: La presente descripción se relaciona con composiciones, que incluyen composiciones orales en forma de tabletas, que comprenden aticaprant y métodos para usar las mismas.

(19) Dirección Nacional de la Propiedad Industrial – URUGUAY**(12) Invención****(11) UY a/040182**

- (51) Clasificación Internacional:** C 07D 405/12(2006.01), C 07D 405/14(2006.01), C 07D 209/10(2006.01), C 07D 307/85(2006.01), A 61K 31/496(2006.01), A 61K 31/404(2006.01), A 61P 25/22(2006.01), A 61P 25/24(2006.01)// A 61K 31/496, A 61P 25/22, 25/24, C 07D 209/10, 307/85, 405/14
- (22) Fecha de presentación:** 15/03/2023
- (30) Datos de prioridad:** PCT/BR2022/050092 16/03/2022 BR
- (71) Solicitante:** EUROFARMA LABORATÓRIOS S.A. [BR]
- (72) Inventor:** CAROLINA FALASCHI SAPONI [BR]; ROSSANA BARCELLOS FRIEDRICH [BR]; LUIZ FELIPE DE OLIVEIRA FARIA [BR]
- (74)**
- (54) Título:** SAL DE DOCUSATO DE VILAZODONA, PROCESO DE OBTENCIÓN, COMPOSICIÓN FARMACÉUTICA Y USO
- (57) Resumen:** La presente invención se refiere a la sal de docusato de vilazodona, a su respectivo proceso de obtención, a una composición farmacéutica que comprende la sal de docusato de vilazodona y a su uso.

(19) Dirección Nacional de la Propiedad Industrial – URUGUAY**(12) Invención****(11) UY a/040227**

- (51) **Clasificación Internacional:** C 12N 1/12(2006.01), A 23K 10/10(2016.01), A 23K 10/16(2016.01)
- (22) **Fecha de presentación:** 18/04/2023
- (30) **Datos de prioridad:** 10-2022-004772 18/04/2022 KR
- (71) **Solicitante:** CJ CheilJedang Corporation [KR]
- (72) **Inventor:** KIM, Ji Young [KR]; SHIN, Won Sub [KR]; GWAK, Jun Seok [KR]; RYU, Ae Jin [KR]; JANG, Sunghoon [KR]; KANG, Hae-Won [KR]; CHOI, Jung-Woon [KR]
- (74)
- (54) **Título:** BIOMASA DE MICROALGAS COMPUESTA POR ALTO CONTENIDO PROTEICO CON EXCELENTE DIGESTIBILIDAD DE...
- (57) **Resumen:** BIOMASA DE MICROALGAS COMPUESTA POR ALTO CONTENIDO PROTEICO CON EXCELENTE DIGESTIBILIDAD DE PEPSINA, MÉTODO DE CULTIVO Y USO DE LA MISMA: La presente invención se refiere a la biomasa de microalgas rica en proteínas con excelente digestibilidad de pepsina, su método de cultivo y sus usos, y la composición sugerida en la presente invención no solo tiene un alto contenido de proteínas, sino que también contiene ácidos grasos omega-3, que son ácidos grasos útiles similares a la harina de pescado, por lo que puede reemplazar directamente la harina de pescado en el caso de la formulación de piensos.

(19) Dirección Nacional de la Propiedad Industrial – URUGUAY**(12) Invención****(11) UY a/040405**

- (51) **Clasificación Internacional:** A 01H 1/00(2006.01), A 01N 65/00(2009.01), C 12N 15/11(2006.01), C 12N 15/29(2006.01)
- (22) **Fecha de presentación:** 24/08/2023
- (30) **Datos de prioridad:** 62/270,180 21/12/2015 US y 62/364,715 20/07/2016 US
- (71) **Solicitante:** MONSANTO TECHNOLOGY LLC [US]
- (72) **Inventor:** GOLEY, Michael E. [US]; SHAO, Aihua [US]; LARUE, Clayton T. [US]; ELLIS, Christine M. [US]; THAI, Kwan Y. [US]; QI, Qungang [US]; LECLERE, Sherry L. [US]
- (74)
- (54) **Título:** MOLÉCULAS RECOMBINANTES DE ADN Y MÉTODOS PARA LA INTRODUCCION EFICIENTE DE TRANSGENES.
- (57) **Resumen:** La invención provee moléculas de ADN recombinante y construcciones útiles para proveer localización subcelular de transgén eficaz de proteínas en plantas transgénicas. También se provén moléculas de ADN recombinante y construcciones para conferir tolerancia o resistencia a herbicidas a plantas, así como plantas que presentan tolerancia a herbicidas y métodos para producir o utilizar dichas plantas.

(19) Dirección Nacional de la Propiedad Industrial – URUGUAY**(12) Invención****(11) UY a/040421**

- (51) Clasificación Internacional:** A 01H 1/00(2006.01), A 01H 5/10(2018.01), A 01N 63/00(20200101), C 07K 14/32(2006.01), C 07K 19/00(2006.01), C 12N 1/21(2006.01)
- (22) Fecha de presentación:** 17/09/2015
- (30) Datos de prioridad:** 62/051,885 17/09/2014 US y 36304 17/09/2015 UY
- (71) Solicitante:** Spogen Biotech Inc. [US]
- (72) Inventor:** Ashley Siegel [US]; Brian Thompson [US]
- (74)**
- (54) Título:** PROTEÍNAS DE FUSIÓN, BACTERIAS RECOMBINANTES Y MÉTODOS DE USO DE LAS BACTERIAS RECOMBINANTES
- (57) Resumen:** Proteínas de fusión que contienen una secuencia de direccionamiento, una proteína del exosporio o un fragmento de la misma que dirige la proteína de fusión al exosporio de un miembro de la familia de Bacillus cereus. También se proveen miembros recombinantes de la familia de Bacillus cereus; miembros genéticamente inactivados y modificaciones de estos. Además se proveen proteínas de fusión que comprenden una proteína de la cubierta de esporas y una proteína o un péptido de interés. ES DIVISIONAL DE 36304 DE FECHA 17/09/2015

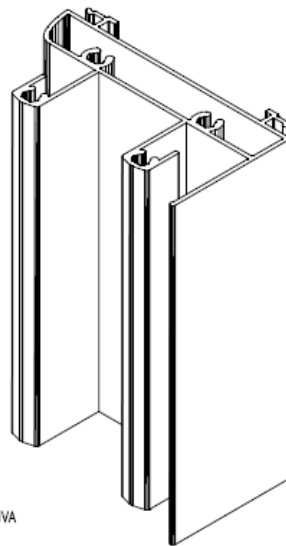
SOLICITUDES DE DISEÑOS INDUSTRIALES

(19) Dirección Nacional de la Propiedad Industrial – URUGUAY

(12) Diseño Industrial

(11) UY s/004983

- (51) Clasificación Internacional: 25-01; 25-02
- (22) Fecha de presentación: 01/09/2022
- (30) Datos de prioridad:
- (71) Solicitante: ALUMINIOS DEL URUGUAY S.A. [UY]
- (72) Inventor: Fernando Indarte [UY]
- (74)
- (54) Título: PERFIL

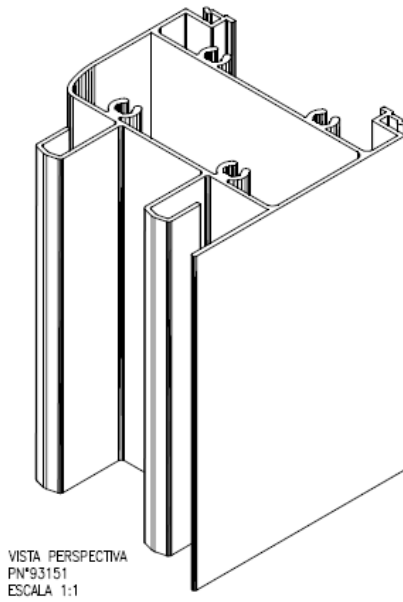


VISTA PERSPECTIVA
PN°93150
ESCALA 1:1

- (57) Resumen: PERFIL

(19) Dirección Nacional de la Propiedad Industrial – URUGUAY**(12) Diseño Industrial****(11) UY s/004984**

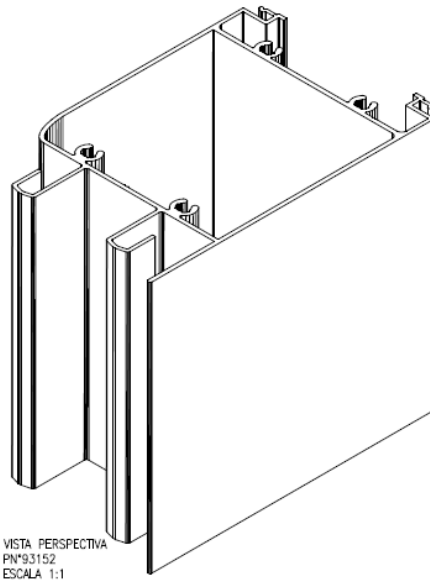
- (51) Clasificación Internacional: 25-01; 25-02
(22) Fecha de presentación: 01/09/2022
(30) Datos de prioridad:
(71) Solicitante: ALUMINIOS DEL URUGUAY S.A. [UY]
(72) Inventor: Fernando Indarte [UY]
(74)
(54) Título: PERFIL



- (57) Resumen: PERFIL

(19) Dirección Nacional de la Propiedad Industrial – URUGUAY**(12) Diseño Industrial****(11) UY s/004985**

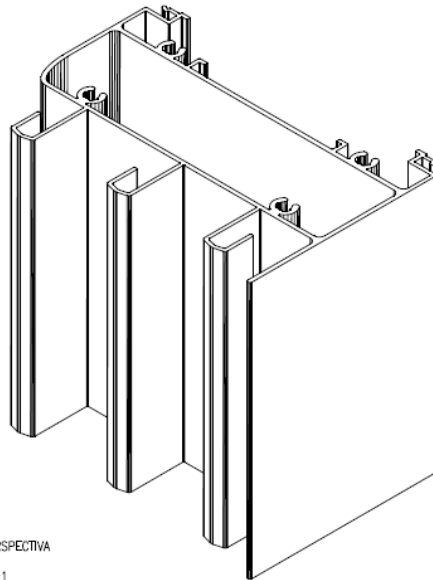
- (51) Clasificación Internacional: 25-01; 25-02
(22) Fecha de presentación: 01/09/2022
(30) Datos de prioridad:
(71) Solicitante: ALUMINIOS DEL URUGUAY S.A. [UY]
(72) Inventor: Fernando Indarte [UY]
(74)
(54) Título: PERFIL



- (57) Resumen: PERFIL

(19) Dirección Nacional de la Propiedad Industrial – URUGUAY**(12) Diseño Industrial****(11) UY s/004986**

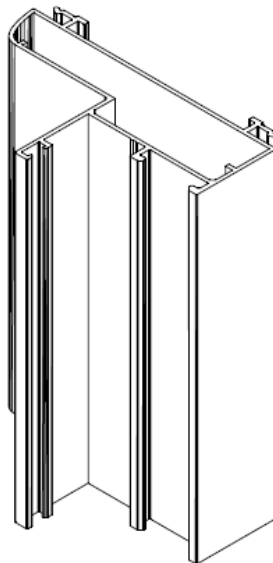
- (51) Clasificación Internacional:** 25-01; 25-02
- (22) Fecha de presentación:** 01/09/2022
- (30) Datos de prioridad:**
- (71) Solicitante:** ALUMINIOS DEL URUGUAY S.A. [UY]
- (72) Inventor:** Fernando Indarte [UY]
- (74)**
- (54) Título:** PERFIL



- (57) Resumen:** PERFIL

(19) Dirección Nacional de la Propiedad Industrial – URUGUAY**(12) Diseño Industrial****(11) UY s/004987**

- (51) Clasificación Internacional:** 25-01; 25-02
- (22) Fecha de presentación:** 01/09/2022
- (30) Datos de prioridad:**
- (71) Solicitante:** ALUMINIOS DEL URUGUAY S.A. [UY]
- (72) Inventor:** Fernando Indarte [UY]
- (74)**
- (54) Título:** PERFIL

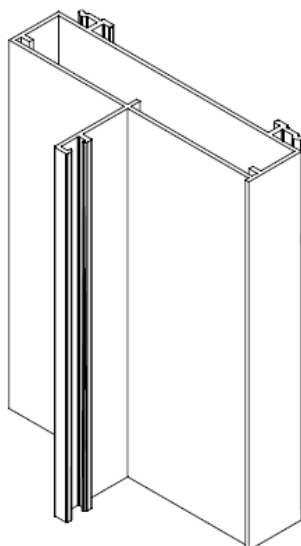


VISTA PERSPECTIVA
ESCALA 1:1

- (57) Resumen:** PERFIL

(19) Dirección Nacional de la Propiedad Industrial – URUGUAY**(12) Diseño Industrial****(11) UY s/004988**

- (51) Clasificación Internacional:** 25-01; 25-02
- (22) Fecha de presentación:** 01/09/2022
- (30) Datos de prioridad:**
- (71) Solicitante:** ALUMINIOS DEL URUGUAY S.A. [UY]
- (72) Inventor:** Fernando Indarte [UY]
- (74)**
- (54) Título:** PERFIL

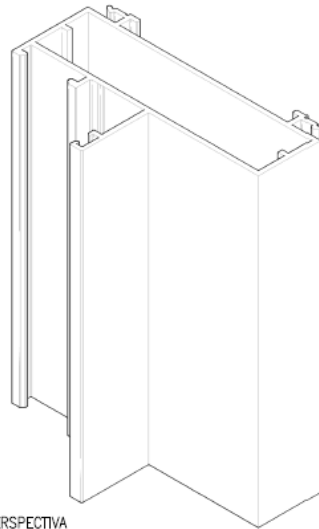


VISTA PERSPECTIVA

- (57) Resumen:** PERFIL

(19) Dirección Nacional de la Propiedad Industrial – URUGUAY**(12) Diseño Industrial****(11) UY s/004989**

- (51) Clasificación Internacional: 25-01; 25-02
(22) Fecha de presentación: 01/09/2022
(30) Datos de prioridad:
(71) Solicitante: ALUMINIOS DEL URUGUAY S.A. [UY]
(72) Inventor: Fernando Indarte [UY]
(74)
(54) Título: PERFIL

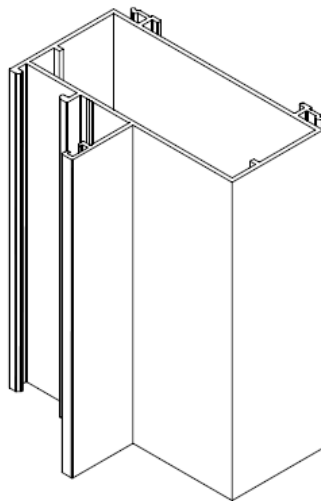


VISTA PERSPECTIVA
PN°92500
ESCALA 1:1

- (57) Resumen: PERFIL

(19) Dirección Nacional de la Propiedad Industrial – URUGUAY**(12) Diseño Industrial****(11) UY s/004990**

- (51) Clasificación Internacional:** 25-01; 25-02
- (22) Fecha de presentación:** 01/09/2022
- (30) Datos de prioridad:**
- (71) Solicitante:** ALUMINIOS DEL URUGUAY S.A. [UY]
- (72) Inventor:** Fernando Indarte [UY]
- (74)**
- (54) Título:** PERFIL



VISTA PERSPECTIVA
PN*92501
ESCALA 1:1

- (57) Resumen:** PERFIL

(19) Dirección Nacional de la Propiedad Industrial – URUGUAY**(12) Diseño Industrial****(11) UY s/005077**

- (51) Clasificación Internacional: 07-01
(22) Fecha de presentación: 07/03/2023
(30) Datos de prioridad: US 29/852,424 07/09/2022 US
(71) Solicitante: Pacific Market International, LLC [US]
(72) Inventor: SMITH, Ryan M. [US]
(74)
(54) Título: RECIPIENTE AGITADOR DE BEBIDAS

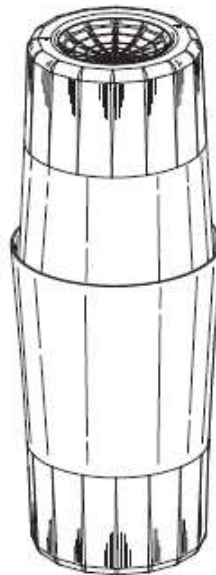
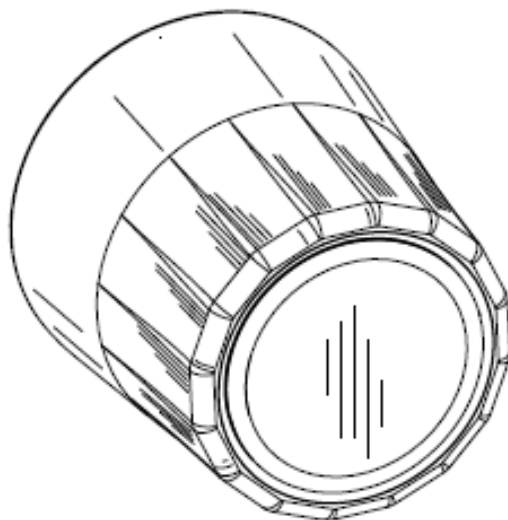


FIG. 1

- (57) Resumen: .

(19) Dirección Nacional de la Propiedad Industrial – URUGUAY**(12) Diseño Industrial****(11) UY s/005078**

- (51) Clasificación Internacional: 07-01
(22) Fecha de presentación: 07/03/2023
(30) Datos de prioridad: US 29/866,292 07/09/2022 US
(71) Solicitante: Pacific Market International, LLC [US]
(72) Inventor: SMITH, Ryan M. [US]
(74)
(54) Título: RECIPIENTE PARA BEBIDAS

**FIG. 2**

- (57) Resumen: .

(19) Dirección Nacional de la Propiedad Industrial – URUGUAY**(12) Diseño Industrial****(11) UY s/005081**

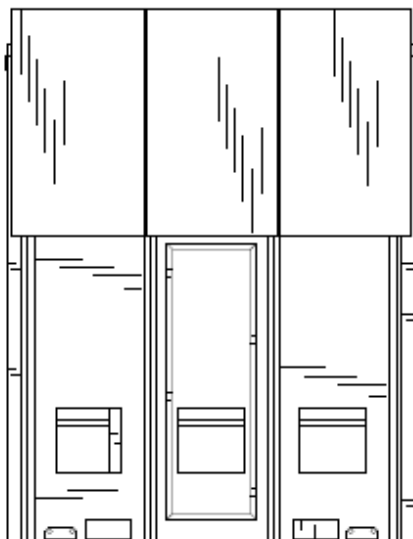
- (51) **Clasificación Internacional:** 12-05
(22) **Fecha de presentación:** 30/03/2023
(30) **Datos de prioridad:** 371825-001 30/09/2022 IN
(71) **Solicitante:** WINDCARE INDIA PRIVATE LIMITED [IN]
(72) **Inventor:** Anthonyraj Premkumar Senthooorandiyan [IN]
(74)
- (54) **Título:** ESLINGAS TIPO CESTO PARA ASPAS DE UNA TURBINA EÓLICA



(57) **Resumen:** .

(19) Dirección Nacional de la Propiedad Industrial – URUGUAY**(12) Diseño Industrial****(11) UY s/005089**

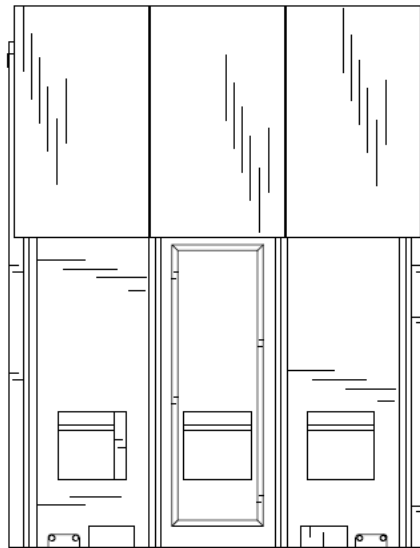
- (51) **Clasificación Internacional:** 06-04
(22) **Fecha de presentación:** 10/05/2023
(30) **Datos de prioridad:** 29/859,703 11/11/2022 US
(71) **Solicitante:** Ohmium International, Inc. [US]
(72) **Inventor:** Arne Ballantine [US]; Peter Light [US]; Kirsten Burpee [US];
Chockkalingam Karuppaiah [US]; Albert Esser [US]
(74)
(54) **Título:** ARMARIO ELECTROLIZADOR

*FIG. 1*

- (57) **Resumen:** .

(19) Dirección Nacional de la Propiedad Industrial – URUGUAY**(12) Diseño Industrial****(11) UY s/005090**

- (51) **Clasificación Internacional:** 06-04
(22) **Fecha de presentación:** 10/05/2023
(30) **Datos de prioridad:** 29/859,700 11/11/2022 US
(71) **Solicitante:** Ohmium International, Inc. [US]
(72) **Inventor:** Arne Ballantine [US]; Peter Light [US]; Kirsten Burpee [US];
Chockkalingam Karuppaiah [US]; Albert Esser [US]
(74)
(54) **Título:** ARMARIO ELECTROLIZADOR

*FIG. 1*

- (57) **Resumen:** .

(19) Dirección Nacional de la Propiedad Industrial – URUGUAY**(12) Diseño Industrial****(11) UY s/005104**

- (51) Clasificación Internacional:** 04-02
- (22) Fecha de presentación:** 01/08/2023
- (30) Datos de prioridad:**
- (71) Solicitante:** Gonzalo Perez [UY]
- (72) Inventor:** Gonzalo Perez [UY]
- (74)**
- (54) Título:** LIMPIADOR DE CALZADO



- (57) Resumen:** Creación original aplicada a un “LIMPIADOR DE CALZADO “

(19) Dirección Nacional de la Propiedad Industrial – URUGUAY**(12) Diseño Industrial****(11) UY s/005106**

- (51) Clasificación Internacional: 25-01
- (22) Fecha de presentación: 23/08/2023
- (30) Datos de prioridad:
- (71) Solicitante: Corelux S.R.L [UY]
- (72) Inventor: Juan Manuel Aristimuño Buzó [UY]
- (74)
- (54) Título: Perfil para abertura de aluminio referencia 7771

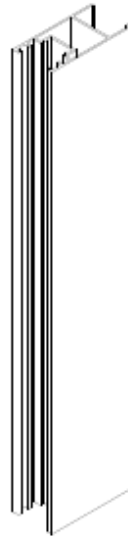


FIGURA 2 VISTA EN PERSPECTIVA

- (57) Resumen: Perfil para abertura de aluminio

(19) Dirección Nacional de la Propiedad Industrial – URUGUAY**(12) Diseño Industrial****(11) UY s/005107**

- (51) **Clasificación Internacional:** 25-01
(22) **Fecha de presentación:** 23/08/2023
(30) **Datos de prioridad:**
(71) **Solicitante:** Corelux S.R.L [UY]
(72) **Inventor:** Juan Manuel Aristimuño Buzó [UY]
(74)
(54) **Título:** Perfil para abertura de aluminio referencia 7772

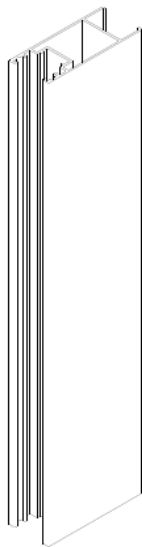


FIGURA 2 VISTA EN PERSPECTIVA

- (57) **Resumen:** Perfil para abertura de aluminio

(19) Dirección Nacional de la Propiedad Industrial – URUGUAY**(12) Diseño Industrial****(11) UY s/005108**

- (51) Clasificación Internacional: 25-01
(22) Fecha de presentación: 23/08/2023
(30) Datos de prioridad:
(71) Solicitante: Corelux S.R.L [UY]
(72) Inventor: Juan Manuel Aristimuño Buzó [UY]
(74)
(54) Título: Perfil para abertura de aluminio referencia 7773

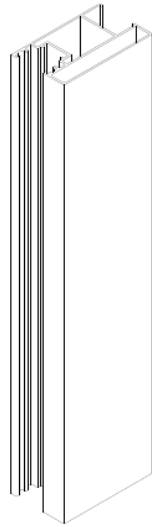


FIGURA 2 VISTA EN PERSPECTIVA

- (57) Resumen: Perfil para abertura de aluminio

(19) Dirección Nacional de la Propiedad Industrial – URUGUAY**(12) Diseño Industrial****(11) UY s/005109**

- (51) **Clasificación Internacional:** 25-01
(22) **Fecha de presentación:** 23/08/2023
(30) **Datos de prioridad:**
(71) **Solicitante:** Corelux S.R.L [UY]
(72) **Inventor:** Juan Manuel Aristimuño Buzó [UY]
(74)
(54) **Título:** Perfil para abertura de aluminio referencia 7774

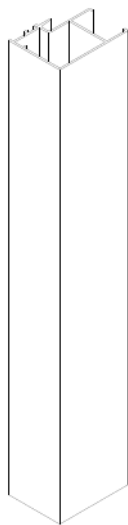


FIGURA 2 VISTA EN PERSPECTIVA

- (57) **Resumen:** Perfil para abertura de aluminio

(19) Dirección Nacional de la Propiedad Industrial – URUGUAY**(12) Diseño Industrial****(11) UY s/005110**

- (51) Clasificación Internacional: 25-01
- (22) Fecha de presentación: 23/08/2023
- (30) Datos de prioridad:
- (71) Solicitante: Corelux S.R.L [UY]
- (72) Inventor: Juan Manuel Aristimuño Buzó [UY]
- (74)
- (54) Título: Perfil para abertura de aluminio referencia 7775

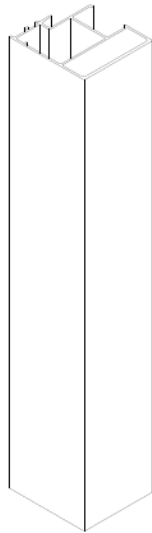


FIGURA 2 VISTA EN PERSPECTIVA

- (57) Resumen: Perfil para abertura de aluminio



Ministerio
**de Industria,
Energía y Minería**

Dirección Nacional
de la Propiedad Industrial

